



AJAX Tools

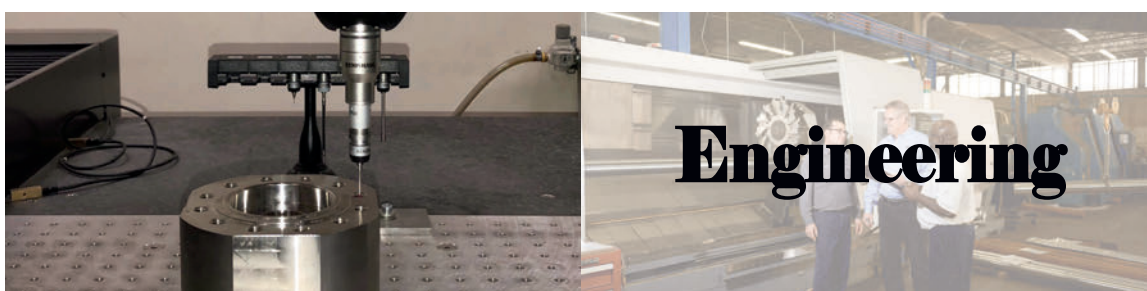
*The Leading Manufacturer of Forged Hand
and Power Tools Accessories Since 1946*





AJAX Tools

Founded in 1946 Ajax built on its expertise in forging, machining, and heat treating. Ajax offers a modern manufacturing facility including advanced production equipment. Over the years Ajax developed a reputation for offering the highest quality products with a special focus on meeting the needs of our customers.





www.ajaxtools.com

Manufacturing Quality Tools Since 1946



Ranking among America’s finest quality manufacturers of industrial tools, **AJAX** is a highly regarded brand name for hand and power percussion tools, special application tools and accessories.

Founded in 1946, **AJAX** built on its expertise in heat-treating, forging and machining; earning an image of uncompromising dedication to quality. With the support of an experienced staff, a modern manufacturing facility and advanced production equipment, **AJAX** is known as a full service manufacturer in today’s market. **AJAX’s** traditions continue to focus on customers needs, evidenced by a loyal network of distributors and special OEM customers around the globe.

The Record

AJAX specializes in percussion tools for pneumatic, electric and hydraulic hammers. Major lines include:

- Chipping Hammer Tools
- Electric Hammer Tools
- Rivet Buster Tools
- Paving Breakers/Drill Steel
- Specialty Chisels/Hand Tools
- Automotive Tool Program
- Demolition Tools For Hydraulic Breakers

Serving major markets in the construction and industrial industries, foundries, railroads, and utilities with a second-to-none service reputation. The leading supplier to the automotive industry for full professional tool programs, including patented and specialty tools.

The Benefits

AJAX carbon and alloy steel tools reflect the company’s know-how, actual field-experience, and recognition of the growing demands of a changing industry. Special emphasis is devoted to: Advanced Heat-Treating Technology, atmosphere controlled to allow tool production for specific hardening needs without surface decarburization. Fully Equipped Forge Shop from multiple upright hammers to successive-die forging machines. Machining Capability from large production runs to small specialized jobs on CNC controlled work stations Full Service Accessory Program — **AJAX** believes in supporting its chisel lines with a full accessory assortment.

Table of Contents

ZIP GUN CHISELS & ACCESSORIES

Turn type Chisels.....	6,7,9
Non-Turn type Chisels.....	8
Rivet Sets.....	9
Retainers.....	10
Needle Scaler Attachment	10
Accessory Items	11
Chisel Sets.....	11

WELD FLUX CHISELS & ACCESSORIES

Chisels.....	12,13
Chisels for Long Reach Scalers ...	13
Needle Scaler Attachments & Parts...	14

CHIPPING HAMMER TOOLS & ACCESSORIES

Non-Collar Chisels	15
Oval Collar Chisels	16
Round Collar Chisels	17
Retainers.....	18
Hose Swivels.....	19

BERYLLIUM COPPER SAFETY TOOLS

Safety Tools.....	20
-------------------	----

RIVET BUSTER TOOLS & ACCESSORIES

Chisels	21
Retainers.....	22
Sleeves	22
Bumpers	22
Springs	22

PAVING BREAKER TOOLS

7/8" thru 1-1/4" Shanks.....	24,25
------------------------------	-------

DRILL STEEL TOOLS

Carbide Speed Bits.....	26
Carbide Utility Bits.....	26
Roto Hammer Chisels & Adapters....	26
Drill Rods.....	27
Carbide & Steel Rock Bits.....	27

ELECTRIC HAMMER TOOLS

SDS Max Shank.....	28
5/8" Round Spline Shank.....	28
3/4" Hex Demo Shank.....	28
SDS Plus Shank	29
7/8" Hex Hilti Shank	29
1 1/8" Hex Shank	29

RIGGER TOOLS

Drift Pins	30
Pull Pins	30
Welding Pins	30
Broad Head Bull Pin	30
Structural Offset Wrenches	30
Pry Bars	31
Lining Bars.....	31
Connecting Bars.....	31
Fit Up Bars.....	31
Pinch Bars.....	31
Digging Bars.....	31
Cotter Pin Tools.....	31

HAND TOOLS

Chisels.....	32
Punches	32

WEDGES, LINE UP PINS & SCRAPERS

Stock Wedges	33
Flange Wedges.....	33
Flange Line-Up Pins	33
Flange Scraper.....	33

DEMOLITION TOOLS

Hydraulic Mounted Breaker Tools.	34
----------------------------------	----



Terms and Conditions

This Catalog supersedes all Prior Catalogs:

Ajax Tool Works, Inc always attempts to use the finest steels available for our type of products. All machining, forging and heat treating is of the highest possible standards. This is because we want you, our customer, to realize the full value in every Ajax product you purchase.

PRICING: Prices are subject to change without notice. Orders are accepted at the price in effect at the time an order is received. Cancellation of orders will only be accepted only on our terms.

PAYMENT TERMS: Our terms are net 30 days from date of invoice. Unless specified.

SHIPMENT TERMS: All shipments are made FOB Franklin Park, Illinois.

RETURN GOODS: All requests to return goods must be submitted in writing to our Customer Service Department. Your request must reference the following: A) Ajax Part Numbers and Quantities you are returning. B) Your original Purchase Order Number or the Ajax Invoice Number. If Ajax accepts the return request the Customer Service Department will issue an RMA (Return Material Authorization) number to accompany your return. No returns will be allowed without this RMA number. Upon written authorization, all items must be returned Prepaid to our plant in Franklin Park, Illinois. Credit will be issued for standard items listed in the current Ajax Price Sheet. A 15% restocking fee will be charged against the Net value of the return. Additional charges will apply should re-conditioning of the products be necessary to return these items to our stock. The amount credited will be determined by customer's original invoice for the items being returned. An order for 2 times the value of returned goods must also accompany the request to return products.

No credit will be issued for: Specials, products that are over two years old, tools that have been used or modified.

SHORTAGE OR DAMAGE: Claims for shortage or deduction for erroneous charges must be presented promptly to Ajax or they will not be honored. The risk of loss shifts to our customers upon tendering of the goods to the transportation company at Franklin Park, Illinois. Never accept any shipment which arrives short or in bad condition until the agent makes proper notation on a paid freight bill.

WARRANTY FOR THE PRODUCT'S LIFETIME: Ajax Tools warrants its products for the lifetime of the products against defects in materials and workmanship. All wear type products will gradually be consumed or wear out over the course of their useful life. Ajax Tools does not warrant that its products will not wear out. Additionally, Ajax Tools does not warrant products that have been misused, used for an improper application, abused, ground, filed, welded or modified in any way. Ajax Tools makes no express or implied warranty as to the suitability or fitness of a product for a specific application

To make a product warranty claim, the product must be returned to Ajax Tools, and prior to shipment must receive a return material authorization (RMA) that is approved by an Ajax Tools representative. In addition, all returns are subject to evaluation by Ajax Tools. If a product is found to be defective, Ajax Tools will repair, replace or issue a credit for the product at the option of Ajax Tools. This is our exclusive remedy to our customers.

WARNING: Ajax chisels and punches should never be struck against surfaces that are harder than the tools themselves. i.e. "Bearings" and " Bearing Races" have much higher hardness than the optimum hardness of the working end of all Ajax chisels and punches. There are specific and safer procedures for the removal of these types of items. Follow Certified Mechanic's Resources for the correct applications of tools or contact Ajax Tools for assistance.

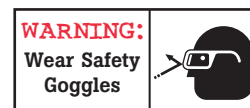
WARNING: Never use an Extension (Cheater Bar) on any type of Pry Bar. Pry Bars are designed to flex, indicating that the maximum load has been met. If a Pry Bars starts to bend, stop using the bar immediately and use a larger Pry Bar that can safely meet the needed requirements.

WARNING: Keep Tools in proper working condition. Discard any striking or struck tools if the face and edges show excessive wear, dents, chips, mushrooming or improper redressing. Mushroomed heads may chip and cause injury. Never redress chisels without the proper redressing instructions.

Each tool supplied by Ajax Tool Works, Inc is designed for a specific job and should be used for that purpose only. Hammer bits should never be used for prying, and should never be used unless they are in the air or electric hammer.

See Ajax website for updated safety information

Ajax Tool Works, Inc cannot be responsible for injury or damage caused by tools improperly used or from tools which have been abused or badly worn. Eye protection, through the use of safety goggles or hood MUST be worn for any Job involving the use of tools, particularly when using air hammers. Follow all personal protection equipment guidelines.

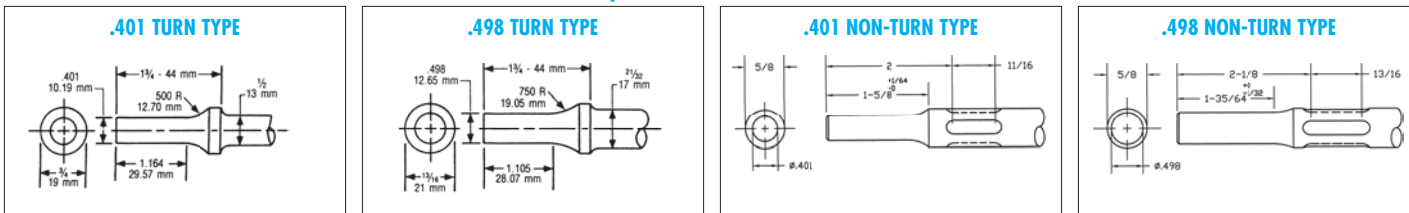


AJAX Tools

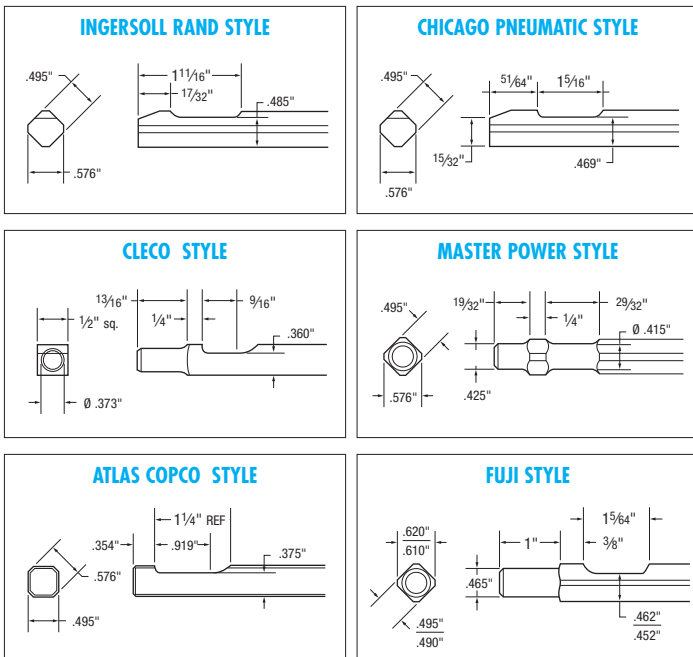


Shank Styles

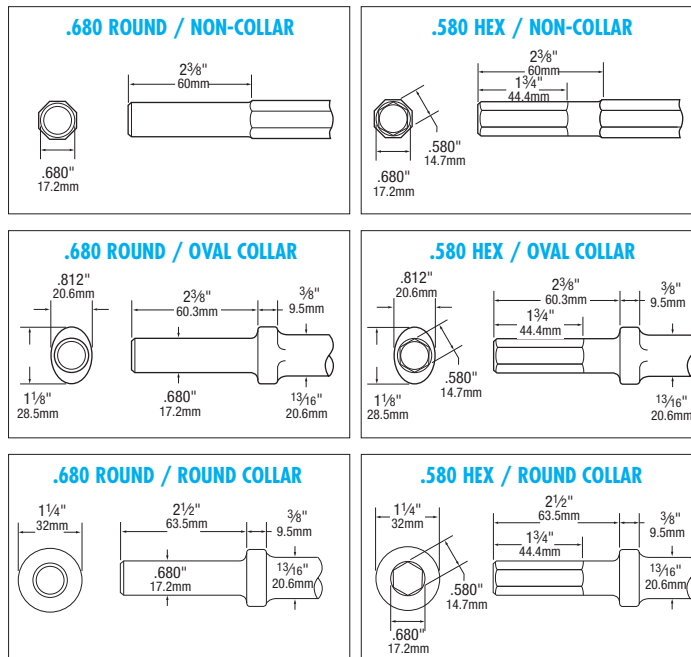
Zip Gun Chisels (p. 6-9)



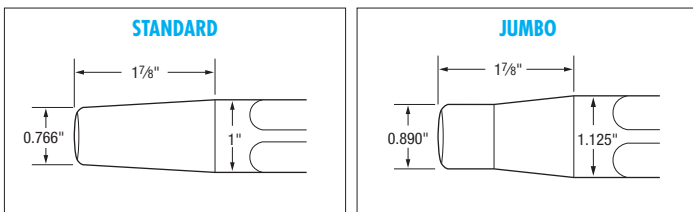
Weld Flux Hammer Chisels (p. 12-13)



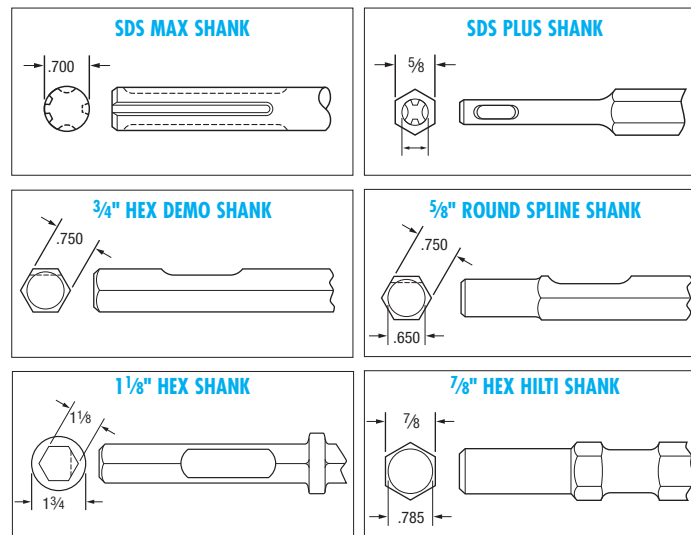
Chipping Hammer Chisels (p. 15-17)



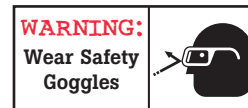
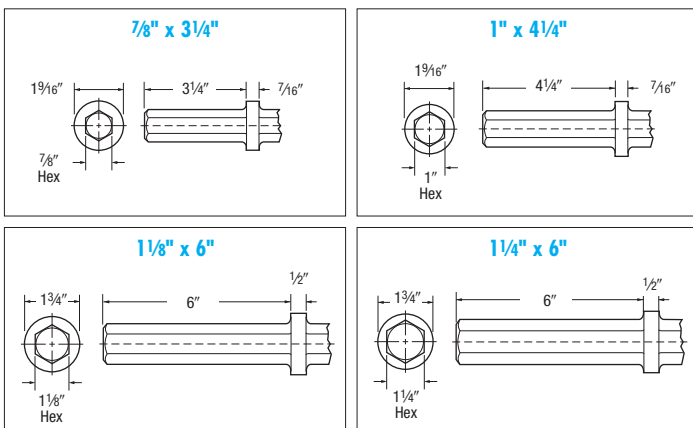
Rivet Buster Tools (p. 21)



Electric Hammer Chisels (p. 28-29)



Paving Breakers (p. 24-25)





Zip Gun Chisels



Universal Joint and Tie Rod Tool

Used to drive / separate universal joint and tie rods

Ajax No.	Shank Type	Length	Weight
901	.401	4 1/4"	.30
965	.498	4 1/4"	.40



Tail Pipe Cutter

Used to cut muffler / tail pipes and other various sheet metal

Ajax No.	Shank Type	Length	Weight
902	.401	6 7/8"	.30



Ball Joint & Tie Rod Separator

Used to separate ball joints and tie rods

Ajax No.	Shank Type	Size	Length	Weight
903-5/8	.401	5/8"	7 1/4"	.70
903-3/4	.401	3/4"	7 1/4"	.70
903-1	.401	1"	7 1/4"	.70
903-1-1/4	.401	1 1/4"	7 1/4"	.90
968	.498	1 1/4"	7 1/4"	.95
968-1	.498	1"	7 1/4"	.75



Bushing Remover Chisel

Used to remove bushings in control arms

Ajax No.	Shank Type	Length	Weight
904	.401	6 1/4"	.30



Wide Chisel & Scraper

1-5/16" wide offset blade for scraping applications

Ajax No.	Shank Type	Blade	Length	Weight
905	.401	1 5/16"	6 1/4"	.30
955	.498	1 5/16"	7"	.50



Bushing Splitter

Used to cut / collapse bushings

Ajax No.	Shank Type	Length	Weight
906	.401	6 1/4"	.30
964	.498	7"	.50



Claw Ripper/Edging Tool

Used to cut / rip sheet metal up to 16 Gauge (1/16") Thick. Creates clean sharp edge

Ajax No.	Shank Type	Length	Weight
907	.401	5 3/8"	.30



Muffler Cutter

Used to cut / slit muffler pipes

Ajax No.	Shank Type	Length	Weight
908	.401	7 1/2"	.40



Double Blade Panel Cutter

Used to cut/rip sheet metal up to 11 gauge (1/8") Creates beveled edge

Ajax No.	Shank Type	Length	Weight
909	.401	6"	.30
959	.498	6 7/8"	.50



Flat Chisel

Used to cut various metals, nuts, bolts, etc.

Ajax No.	Shank Type	Blade	Length	Weight
910	.401	3/4"	6 1/2"	.35
910-1/2	.401	1/2"	6 1/2"	.30
910-5/8	.401	5/8"	6"	.30
910-11	.401	3/4"	11"	.60
910-18	.401	3/4"	18"	1.00
960	.498	5/8"	7"	.50
960-12	.498	5/8"	12"	1.00
960-18	.498	5/8"	18"	1.60



Wide Flat Chisel

Used to cut and scrape wider materials

Ajax No.	Shank Type	Blade	Length	Weight
910-1-1/2	.401	1 1/2"	6 1/2"	.40
910-11-1-1/2	.401	1 1/2"	11"	.60
910-2	.401	2"	7"	.50
960-1-1/2	.498	1 1/2"	9"	.80



Tapered Punch

Used to remove rivet bodies and pins

Ajax No.	Shank Type	Length	Weight
911	.401	6 1/2"	.30
961	.498	7"	.45



Rivet Cutter

Used to cut metal and aluminum rivet heads

Ajax No.	Shank Type	Blade	Length	Weight
912	.401	5/8"	5 3/4"	.30
962	.498	5/8"	5 3/4"	.40

WARNING: Ajax chisels and punches should never be struck against surfaces that are harder than the tools themselves; i.e. "Bearings" and "Bearing Races" have much higher hardness than the optimum hardness of the working end of all Ajax chisels and punches. There are specific and safer procedures for the removal of these types of items. Follow Certified Mechanic's Resources for the correct applications of tools or contact Ajax Tools for assistance.





Zip Gun Chisels



Straight Punch

Used to drive / punch pins and rods

Ajax No.	Shank Type	Length	Weight
913	.401	6 1/2"	.30
913-18	.401	18"	1.00
963	.498	7"	.55
963-18	.498	18"	1.60



Vee Chisel/Spot Weld Breaker

Used to cut / break spot welds

Ajax No.	Shank Type	Length	Weight
914	.401	6 1/4"	.30



Piercing Punch

Used to punch holes in sheet metal for #6, #8, #10 sheet metal screws

Ajax No.	Shank Type	Size	Length	Weight
916	.401	#6	5 1/2"	.30
918	.401	#8	5 1/2"	.30
920	.401	#10	5 1/2"	.30



Flat Chisel Offset 30°

Used to cut rivets on ball joints and other hard to reach rivets

Ajax No.	Shank Type	Blade	Length	Weight
919	.401	5/8"	10 1/2"	.55



Offset Bushing Splitter

Used to split bushings

Ajax No.	Shank Type	Length	Weight
921	.401	8 3/8"	.40



Offset Scrapper Chisel

1-3/8" wide offset blade for scraping tougher materials

Ajax No.	Shank Type	Length	Weight
922	.401	6 3/4"	.35



Single Blade Cutter

Used to cut/rip sheet metal up to 11 gauge (1/8")
Creates beveled edge

Ajax No.	Shank Type	Length	Weight
923	.401	5 3/4"	.30



Pencil Point

Used to pierce sheet metal

Ajax No.	Shank Type	Length	Weight
925	.401	6 1/2"	.30
925-18	.401	18"	1.00



Muffler & Pipe Cutter

Used to cut both muffler pipe and tail pipes

Ajax No.	Shank Type	Length	Weight
930	.401	7 1/2"	.30



Kwik Cutter

Used to cut sheet metal when deeper penetration is required

Ajax No.	Shank Type	Length	Weight
932	.401	8 1/2"	.40



Muffler Cutters

Used to cut both inside and outside pipes at muffler connection

Ajax No.	Shank Type	Length	Weight
933 Inside	.401	8 1/4"	.40
934 Outside	.401	8 1/4"	.40



Moil Point

Used to chip or break material

Ajax No.	Shank Type	Length	Weight
940	.401	7"	.35



Hammer - 1" Diameter

Used for hammering or driving applications (various lengths available)

Ajax No.	Shank Type	Length	Weight
945	.401	4 1/4"	.30
945-7	.401	7"	.45
945-9	.401	9"	.60 NEW
945-18	.401	18"	1.25 NEW
967	.498	4 1/4"	.40
967-7	.498	7"	.60 NEW



Undercoat Scrapper

Used to scrape coatings and other gasket materials

Ajax No.	Shank Type	Length	Weight
951	.401	6 1/2"	.35



Nut Splitter

Used to cut/split nuts on shock absorbers

Ajax No.	Shank Type	Size	Length	Weight
1100	.401	5/16"	10"	.50
1100-18	.401	5/16"	18"	1.00
1101	.401	3/8"	10"	.50
1101-18	.401	3/8"	18"	1.00

WARNING: Ajax chisels and punches should never be struck against surfaces that are harder than the tools themselves; I.E. "Bearings" and "Bearing Races" have much higher hardness than the optimum hardness of the working end of all Ajax chisels and punches. There are specific and safer procedures for the removal of these types of items. Follow Certified Mechanic's Resources for the correct applications of tools or contact Ajax Tools for assistance.



WARNING: WEAR SAFETY GLASSES

Toll Free: 1-800-323-9129
www.ajaxtools.com





Zip Gun Chisels



Note: 3300 or 3700 style retainers required with these tools



Straight Punch

Used to drive / punch pins and rods

Ajax No.	Shank Type	Length	Weight
3101	.401	7"	.50



Flat Chisel

Used to cut bolts, nuts, and heavier materials

Ajax No.	Shank Type	Blade	Length	Weight
3102	.401	3/4"	7 1/2"	.50
3182	.498	3/4"	7 1/2"	.60
3102-18	.401	3/4"	18"	1.40
3182-18	.498	3/4"	18"	1.40



Rivet Cutter

Used to cut rivet metal and aluminum rivet heads

Ajax No.	Shank Type	Blade	Length	Weight
3103	.401	5/8"	7 1/2"	.50
3183	.498	5/8"	7"	.50



Single Blade Panel Cutter

Used to cut / rip sheet metal up to 11 gauge (1/8") thick, creates beveled edge

Ajax No.	Shank Type	Length	Weight
3104	.401	6 1/2"	.40



Claw Ripper/Edging Tool

Used to cut / rip sheet metal up to 16 gauge (1/16") thick creates clean sharp edge

Ajax No.	Shank Type	Length	Weight
3105	.401	7"	.40



Wide Scraper Chisel

Used for scraping applications, 1-5/16" wide scraper blade

Ajax No.	Shank Type	Blade	Length	Weight
3106	.401	1 5/16"	7"	.55
3185	.498	1 5/16"	7"	.55



Double Bladed Panel Cutter

Used to cut / rip sheet metal up to 11 gauge (1/8") thick, creates beveled edge

Ajax No.	Shank Type	Length	Weight
3109	.401	6 3/4"	.40
3189	.498	9"	.70



Tapered Punch

Used to remove rivet bodies and pins

Ajax No.	Shank Type	Length	Weight
3110	.401	7"	.40



Diamond Point

Used to cut channels in fabricated steel

Ajax No.	Shank Type	Length	Weight
3111	.401	7 1/2"	.50



Angle Chisel

Used for scraping, 30 degree angle allows 1-3/8" wide blade to scrape tougher materials.

Ajax No.	Shank Type	Length	Weight
3112	.401	7"	.40



Tail Pipe Cutter

Used to cut muffler / tail pipes and other various sheet metal

Ajax No.	Shank Type	Length	Weight
3114	.401	7 1/2"	.50
3180	.498	9"	.60

Retainers for Non-Turn Tools



3300 For use with .401 Non-Turn Tools



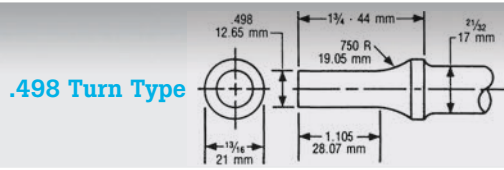
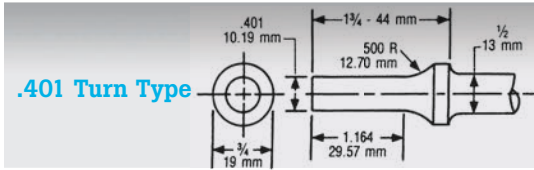
3700 For use with .498 Non-Turn Tools

Note: Specify MFG and Model number of Air Hammer





Zip Gun Chisels – Specialty Tools & Sets



Rivet Sets (Overall Length 3 1/2")
Used to form various rivet style heads on aluminum rivets

Ajax No.	Size	Head	Wt.	Ajax No.	Size	Head	Wt.
1604	3/16"	Round	.30	1620	3/16"	Brazier	.30
1605	1/4"	Round	.30	1621	1/4"	Brazier	.30
1606	5/16"	Round	.30	1622	5/16"	Brazier	.30
1610	3/16"	Mod. Braz.	.30	1636	3/16"	Universal	.30
1611	1/4"	Mod. Braz.	.30	1637	1/4"	Universal	.30
1612	5/16"	Mod. Braz.	.30	1638	5/16"	Universal	.30



NEW
Rivet Knock Out Punches
Used to drive / knock out rivet bodies

Ajax No.	Shank Type	Punch Dia.	Length	Wt.
1640	.401	3/16"	3 1/2"	.30
1641	.401	1/4"	3 1/2"	.30
1642	.401	5/16"	3 1/2"	.30



Smoothing Hammers
Used to form and smooth body panels

Ajax No.	Shank Type	Hammer Dia.	Length	Wt.
1600	.498	1"	3"	.30
1601	.498	1 1/4"	3 1/4"	.40
1602	.401	1"	3"	.20
1603	.401	1 3/4"	3 1/4"	.40



Roll Pin Drivers

Used to drive hollow roll pins

Ajax No.	Punch Dia.	Roll Pin No.	Length	Wt.
1102	1/4"	8	7 1/2"	.20
1103	5/16"	9	7 1/2"	.25
1104	3/8"	10	7 1/2"	.30
1105	1/2"	12	7 1/2"	.40
1106	Set of 4 (1102, 1103, 1104, 1105)			



Offset Hinge Pin Drivers

Used to drive hollow roll pins on automobile doors

Ajax No.	Description	Length	Wt.
1110	Set of 2 (1111 & 1112)	7 3/8"	.70
1111	Hinge Pin Driver, .237 dia.	7 3/8"	.30
1112	Hinge Pin Driver .302 dia.	7 3/8"	.30



Valve Guide Drivers

Used to remove valve guides

Ajax No.	Body	Pilot	Length	Weight
1121	.420"	1/4"	7 1/2"	.30
1122	.420"	5/16"	7 1/2"	.30
1123	.480"	11/32"	7 1/2"	.40
1124	.480"	3/8"	7 1/2"	.40
1125	.480"	7/16"	7 1/2"	.50



Bushing Driver Stem

Used to drive various size bushing heads

Ajax No.	Shank Type	Pilot	Length	Weight
1126	.401	1/2"	5 1/2"	.35
1127	.401	1/2"	9 1/2"	.55



Square Drive Socket Adapters

Used to loosen tight fasteners, adapts to 3/8" and 1/2" impact sockets

Ajax No.	Shank Type	Pilot	Length	Weight
1129	.401	3/8"	5"	.530
1130	.401	1/2"	5 1/2"	.60



Freeze Plug Installation Set

Used to drive and set various size freeze plugs

Ajax No.	Description	Wt.
1160	Freeze Plug Installation Set (contains one each 1161, 1162-1, 1162-2 and 1162-3)	1.40
1161	Driver, 14" OAL.	.70
1161-22	Driver, 22" OAL. (opt.)	1.10
1162-1	Head fits 1" & 1 3/8" (25mm & 35mm)	.15
1162-2	Head fits 1 25/64" & 1 5/8" (35.3mm & 41.2mm)	.20
1162-3	Head fits 1 3/4" & 2 1/16" (44.4mm & 52.3mm)	.30



Brake Pin and Bushing Driver Set

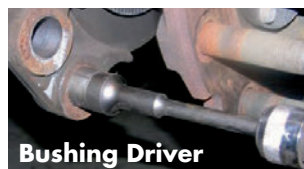
The Ajax Pneumatic Brake Pin & Bushing Driver Kit is designed to remove brake anchor pins and bushings. These tools can be used on "Q" type brake systems with 1 1/4" anchor pins that fit Meritor, Rockwell and Dana-Spicer brake systems, with weights ranging from 16,000 to 30,000 pounds.

Ajax No.	Shank Type	Length	Weight
1166	.401	10 1/2"	2.50
954	.498	10 1/2"	2.50

Note: Sold in sets only



Pin Driver



Bushing Driver

WARNING: Ajax chisels and punches should never be struck against surfaces that are harder than the tools themselves; I.E. "Bearings" and "Bearing Races" have much higher hardness than the optimum hardness of the working end of all Ajax chisels and punches. There are specific and safer procedures for the removal of these types of items. Follow Certified Mechanic's Resources for the correct applications of tools or contact Ajax Tools for assistance.



WARNING: WEAR SAFETY GLASSES

Toll Free: 1-800-323-9129
www.ajaxtools.com





Retainers / Attachments



Ajax Kwik Change Retainers and Needle Scaler Attachments



Manufacturer	Model No.	3300	3300-U	3200	3500
Aircat	5100, 5200	3300-9	3300-U		3500-9
Chicago Pneumatic	4447, 717			3200-3	
Chicago Pneumatic	711, 714, 715, 7110, 7150	3300-9	3300-U		3500-9
Cleco	E3-E4-E15-E16	3300-9	3300-U		3500-9
Cornwell	CAT250, CAT425	3300-9	3300-U		3500-9
Craftsman	19897	3300-10	3300-U		3500-9
Florida Pneumatic	FP1010,FP1020,FP1100	3300-10	3300-U		3500-10
Florida Pneumatic	FP660			3200-3	
Ingersoll Rand	AVC-26			3200-1	
Ingersoll Rand	114, 115, 116, 117	3300-9	3300-U		3500-9
Ingersoll Rand	AV10,AV12,AV13,772,121,132	3300-1			3500-10
Mac Tool	AH2009,AH2010,AH520	3300-9	3300-U		3500-9
Matco Tool	SE906,MT1724,MT2812,MT2816	3300-9	3300-U		3500-9
Sioux	270,272,5272A,5273A,5274A	3300-1		3500-1	3500-1
Snap On	PH45,PH50,PH3050	3300-10	3300-U		3500-10

3700 RETAINER FOR .498 NON-TURN TYPE TOOLS AVAILABLE ON REQUEST. RETAINERS FOR OTHER MODELS AVAILABLE ON REQUEST.

Retainer Replacement Parts

Description	A3200	A3300	A3300-U
Lock Screw	3304	3304	-
Body*	3204	3301	3300-U
Balls (4)	3013	3013	3013
Spring	3206	3014	3014
Sleeve	3205	3302	3302
Front Snap Washer	3207	3016	3016
Back Snap Washer	3208	3306	-
Nylon Insert	3210	3310	3310-U

*Specify Make and Model of Hammer

Needle Scaler Attachment Replacement Parts

3501* Body with Insert	3505 Front Snap Washer
3502 Driver	375 Needle Holder
3503 Spring	1376 Set of 19 Needles (5")
3504 Front Bushing	3304 Set Screws (3)

*Specify Make and Model of Hammer

893 Chisel Holder Retainer Chuck

Replaces conventional spring retainer.
Fits most .401 hammers. Weight .20 lbs.



Retaining Springs



895	.401 Std. Beehive Spring (CPA 046096)
895-IR	.401 Std. Beehive Spring (AVC- 183)
898	.498 Beehive(CPA 047096)



896	.498 Mech Aid (CPA 047095)
897	.401 Mech Aid (CPA 046095)
897-IR	.401 Mech Aid (AVC-183A)



899	.401 Beehive Spring & Washer (Sioux 2208)
-----	---



900	.401 Mech Aid (B&D 58616)
-----	---------------------------

WARNING: Ajax chisels and punches should never be struck against surfaces that are harder than the tools themselves; I.E. "Bearings" and "Bearing Races" have much higher hardness than the optimum hardness of the working end of all Ajax chisels and punches. There are specific and safer procedures for the removal of these types of items. Follow Certified Mechanic's Resources for the correct applications of tools or contact Ajax Tools for assistance.





Accessories

- 1012 1/2" Chuck for 1/2" Sq. Drive
- 1014 3/8" Chuck for 3/8" Sq. Drive

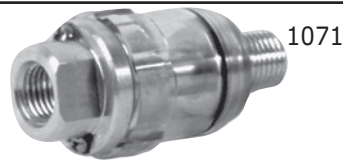
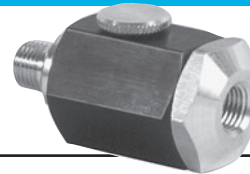
Chuck slips onto square spindle and transforms your impact wrench into an efficient drilling tool.

Impact Wrench Chuck



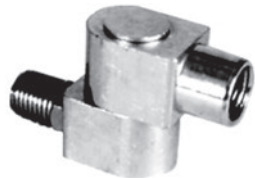
- 1070 Attaches directly to any air tool. 1/4" Male x 1/4" Female NPT. Adjustable flow rate. Holds 9 CCs of oil.

Oiler / Midget Oiler



1071 High-impact plastic reservoir allows operator to see when refill is necessary.

- 1094 1/4" NPT
- 1095 3/8" NPT



360° Hose Swivel

Pressure-Feed Pneumatic Tool Lubricators



MODEL	LENGTH	WIDTH	HEIGHT	WEIGHT	OIL CAP.	PIPE SIZE	CAP. FREE AIR	SAFETY FACTOR
1066	4 1/2"	2 3/8"	2 13/16"	16 OZ.	7 CU. IN. 2.6 OZ.	1/2" NPT	100 SCFM	500
1067	6"	2 7/8"	3 3/8"	26 OZ.	12 CU. IN. 5.3 OZ.	3/4" NPT	175 SCFM	260
1068	7"	3 3/8"	3 11/16"	34 OZ.	18 CU. IN. 8 OZ.	3/4" NPT	175 SCFM	300
1069	10"	3 7/8"	4 3/16"	70 OZ.	34 CU. IN. 16 OZ.	1" NPT	350 SCFM	250

Pressure-feed lubricators increase the life and productivity of your air tools and are easily installed on any air line, hose, compressor or air tool. When the tool is started a momentary pressure drop occurs and back pressure forces a fog of oil into the air stream to the tool.

CHISEL SETS



9029
Nine-piece master set to handle the wide range of the professional's pneumatic chisel requirements.

Contains:

- 905 Wide Chisel & Scraper
- 906 Bushing Splitter
- 907 Claw Ripper/Edging Tool
- 908 Muffler Cutter
- 909 Double Blade Panel Cutter
- 910 Flat Chisel
- 911 Tapered Punch
- 912 Rivet Cutter
- 932 Kwik Cutter



9024
Primary set of pneumatic chisels to fill the most basic needs.

Contains:

- 906 Bushing Splitter
- 908 Muffler Cutter
- 910 Flat Chisel
- 912 Rivet Cutter



9044
Pneumatic chisels for the body specialist.

Contains:

- 902 Tail Pipe Cutter
- 907 Claw Ripper
- 909 Double Blade Panel Cutter
- 914 Spot Weld Breaker

AIR REGULATORS



894
(CPT No. CA 085203)

For tools with 1/4" threaded inlet. Spring loaded lock type arrangement stays at your setting and restricts air flow to suit your needs.



889 Brass
890 Aluminum

Increase or decrease pressure as needed. 1/4" Male x 1/4" Female NPT.

WARNING:
Wear Safety Goggles



AJAX Tools



1-800-323-9129



1-800-424-AJAX



ajaxtools.com





Weld Flux Scaling Hammer Chisels



POINT STYLE

Blank



Flat Chisel



Scaling Chisel



Wide Scaling Chisel



Angle Chisel



Cape Chisel



Round Nose Chisel



Diamond Point



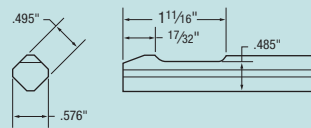
Single Blade Panel Cutter



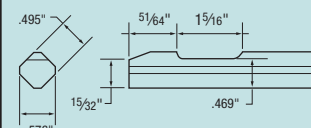
Heavy Blade Flat (Rounded Point)



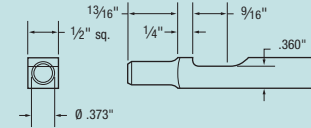
INGERSOLL RAND STYLE SHANK



CHICAGO PNEUMATIC STYLE SHANK



CLECO STYLE SHANK



	CAT. NO.	LENGTH	WIDTH	WT	CAT. NO.	LENGTH	WIDTH	WT	CAT. NO.	LENGTH	WIDTH	WT
Blank	381	7"	—	.4 lbs	395	7"	—	.4 lbs	391	7"	—	.4 lbs
	381-12	12"	—	.7 lbs	395-12	12"	—	.7 lbs	391-12	12"	—	.7 lbs
	381-18	18"	—	1.2 lbs	395-18	18"	—	1.2 lbs	391-18	18"	—	1.2 lbs
Flat Chisel	382	7"	3/4"	.4 lbs	396	7"	3/4"	.4 lbs	392	7"	3/4"	.4 lbs
	382-12	12"	3/4"	.7 lbs	396-12	12"	3/4"	.7 lbs	392-12	12"	3/4"	.7 lbs
	382-18	18"	3/4"	1.2 lbs	396-18	18"	3/4"	1.2 lbs	392-18	18"	3/4"	1.2 lbs
Scaling Chisel	383	7"	1 3/8"	.4 lbs	397	7"	1 3/8"	.4 lbs	393	7"	1 3/8"	.4 lbs
	383-12	12"	1 3/8"	.7 lbs	397-12	12"	1 3/8"	.7 lbs	393-12	12"	1 3/8"	.7 lbs
	383-18	18"	1 3/8"	1.2 lbs	397-18	18"	1 3/8"	1.2 lbs	393-18	18"	1 3/8"	1.2 lbs
Wide Scaling Chisel	380	7"	2"	.5 lbs	399	7"	2"	.5 lbs	390	7"	2"	.5 lbs
	380-12	12"	2"	.8 lbs	399-12	12"	2"	.8 lbs	390-12	12"	2"	.8 lbs
	380-3	7 1/2"	3"	.8 lbs	399-3	7 1/2"	3"	.8 lbs	390-3	7 1/2"	3"	.8 lbs
Angle Chisel	384	7"	1 3/8"	.4 lbs	398	7"	1 3/8"	.4 lbs	394	7"	1 3/8"	.4 lbs
	384-12	12"	1 3/8"	.7 lbs	398-12	12"	1 3/8"	.7 lbs	394-12	12"	1 3/8"	.7 lbs
	384-18	18"	1 3/8"	1.2 lbs	398-18	18"	1 3/8"	1.2 lbs	394-18	18"	1 3/8"	1.2 lbs
Cape Chisel	3229	7"	5/16"	.4 lbs	3226	7"	5/16"	.4 lbs	3232	7"	5/16"	.4 lbs
Round Nose Chisel	3228	7"	5/16"	.4 lbs	3225	7"	5/16"	.4 lbs	3231	7"	5/16"	.4 lbs
Diamond Point	3227	7"	1/4"	.4 lbs	3224	7"	1/4"	.4 lbs	3230	7"	1/4"	.4 lbs
Single Blade Panel Cutter	3221	7"	—	.4 lbs	3201	7"	—	.4 lbs	3241	7"	—	.4 lbs
Heavy Blade Flat					3280	7"	1 1/4"	.8 lbs				
(Rounded Point)					3280-12	12"	1 1/4"	1.1 lbs				
					3280-18	18"	1 1/4"	1.6 lbs				

Weld Flux Scaling Hammer Chisel Sets

9025

Ingersoll Rand Style Shank

- Contains one each:
 #381 Blank 7" OAL
 #382 3/4" Wide Chisel 7" OAL
 #383 1-3/8" Wide Chisel 7" OAL
 #384 1-3/8" Angle Chisel 7" OAL



9026

Cleco Style Shank

- Contains one each:
 #391 Blank 7" OAL
 #392 3/4" Wide Chisel 7" OAL
 #393 1-3/8" Wide Chisel 7" OAL
 #394 1-3/8" Angle Chisel 7" OAL



9027

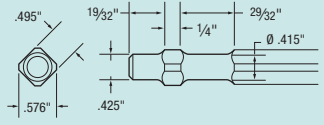
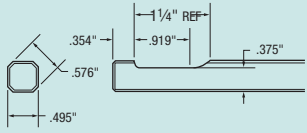
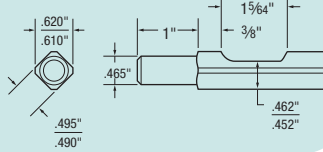
Chicago Pneumatic Style Shank

- Contains one each:
 #395 Blank 7" OAL
 #396 3/4" Wide Chisel 7" OAL
 #397 1-3/8" Wide Chisel 7" OAL
 #398 1-3/8" Angle Chisel 7" OAL





Weld Flux Scaling Hammer Chisels

MASTER POWER STYLE SHANK				ATLAS COPCO STYLE SHANK				FUJI STYLE SHANK			
											
CAT. NO.	LENGTH	WIDTH	WT.	CAT. NO.	LENGTH	WIDTH	WT.	CAT. NO.	LENGTH	WIDTH	WT.
385	7"	—	.4 lbs	3250	7"	—	.4 lbs				
385-12	12"	—	.7 lbs	3250-12	12"	—	.7 lbs				
385-18	18"	—	1.2 lbs								
386	7"	3/4"	.4 lbs	3251	7"	3/4"	.4 lbs	3254	7"	3/4"	.4 lbs
386-12	12"	3/4"	.7 lbs	3251-12	12"	3/4"	.7 lbs				
386-18	18"	3/4"	1.2 lbs								
387	7"	1 3/8"	.4 lbs	3252	7"	1 3/8"	.4 lbs	3255	7"	1 3/8"	.4 lbs
387-12	12"	1 3/8"	.7 lbs	3252-12	12"	1 3/8"	.7 lbs				
387-18	18"	1 3/8"	1.2 lbs								
388	7"	1 3/8"	.4 lbs	3253	7"	1 3/8"	.4 lbs	3256	7"	1 3/8"	.4 lbs
388-12	12"	1 3/8"	.7 lbs	3253-12	12"	1 3/8"	.7 lbs				
388-18	18"	1 3/8"	1.2 lbs								
389	7"	2"	.5 lbs								



POINT STYLE

Blank



Flat Chisel



Scaling Chisel



Angle Chisel



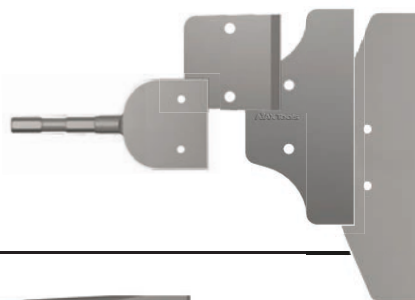
Wide Scaling Chisel



Pneumatic Scaling Hammer Chisels for long reach scalers

- 3284 4" Wide with Holes Length: 8 3/4"
- 3285 4" Wide Flex Blade
- 3286 8" Wide Flex Blade
- 3287 12" Wide Flex Blade

Flex Blades come with 2 ea.: Bolt, Washer, Nut



3281 Width: 1" Length: 8"



3282 Width: 2" Length: 8"



3283 Width: 4" Length: 8 3/4"

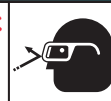


19/32" HEX SHANK

These chisels fit the following scalers:

- Edco
- ALR-2, ALR-4, ALR-5
- MacDonald
- LPS3, SPS5
- Master Power
- 5195
- Trelawny
- 136.3299, 136.3499,
- 136.3599, 136.3699

WARNING:
Wear Safety
Goggles



1-800-323-9129



1-800-424-AJAX



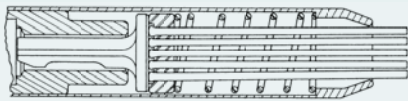
ajaxtools.com



Weld Flux Scaler Parts & Accessories



NEEDLE SCALER ATTACHMENT



Conversion Units – make any weld flux hammer an instant needle scaler with units listed.

Cat. No.	Driver	Holder	Needle Set	Spring	Tube
1390	374	375	1376	1371	1380
For C.P.T. 456 & Jet					
1391	371	375	1376	1371	1380
For I-R Series 171 & 181					
1392	373	375	1376	1371	1370
For Cleco B1A, Aro 8500, C.P.T. 9356 & Ajax 1045					
1393	371	375	1376	1371	1360
For I-R Series 172 & 182					

AUTOMOTIVE

Auto body repair shops use needle scalers to remove rust.

INDUSTRIAL

In steel fabrication such as shipbuilding or heavy equipment manufacturing, weld flux chisels are used to clean slag off of welds.

Foundries use these to clean fins (excess metal) on castings.

CONSTRUCTION

Weld flux chisels are used for maintenance and repair of bridges, with rust removal being done by either chisels or needle scalers.



1301 Retainer



371 Driver / Anvil



1302 Retainer Buffer



373 Driver / Anvil



1303 Retainer Clip



374 Driver / Anvil



Bulk Needles

Cat. No.	Diam.	Length	Point Style	Min. Qty.
368	1/8"	4"	FLAT	500
369	2 mm	7"	FLAT	500
376	1/8"	5"	FLAT	500
377	1/8"	7"	FLAT	500
379	3 mm	7"	FLAT	500

Individual Needles

Cat. No.	Diam.	Length	Point Style
5521	3 mm	7"	CHISEL TIP
5522	4 mm	7"	FLAT
5523	4 mm	7"	CHISEL TIP
5525	3 mm	7"	FLAT (Beryllium Copper)

Needle Sets

Cat. No.	Diam.	Length	Qty. per Set	Point Style
1368	1/8"	4"	11	FLAT
1369	2 mm	7"	19	FLAT
1376	1/8"	5"	19	FLAT
1377	1/8"	7"	19	FLAT
1379	3 mm	7"	19	FLAT
1379-12	3 mm	7"	12	FLAT
1379-23	3 mm	7"	23	FLAT
1379-28	3 mm	7"	28	FLAT

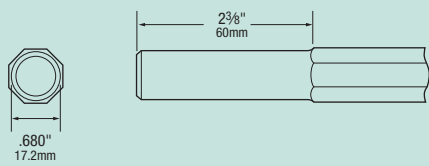
Mfg'r	Part No.	Description	Cat. No.
B&D	51700	Needle Set (19)	1376
C.P.T.	P117630	Tube	1380
	WP123818	Buffer	1302
	WP123819	Retainer	1301
	WP123820	Retainer Clip	1303
	P100144	Anvil	374
	P100145	Holder	375
	P100146	Needle Set (19)	1377
	NP123901	Needle Set (12)	1379-12
	NP123902	Needle Set (23)	1379-23
	NP123904	Needle Set (28)	1379-28
Cleco	832956	Retainer	1301
	833527	Buffer	1302
	832554	Retainer Clip	1303
	834045	Driver	373
	834046	Holder	375
	834043	Needle Set (19) 5"	1376
	834779	Tube	1370
	834044	Spring	1371
	834024	Needle Set (19) 7"	1377
I-R	NS11-20	Driver (03328093)	371
	NS11-21	Holder (03328101)	375
	NS1-24	Tube (03043676)	1380
	NS11-22	Needle (19)	1376
	NS11-122	Needle (19) 7"	1377
	NS1-27	Spring (03043718)	1381
Sioux	2260	Needle Set (19)	1376
	54195	Holder	375
	54213	Driver	371
Stanley	P3053	Driver	371
	P3054	Holder	375
	P3055	Needle Set (19)	1376



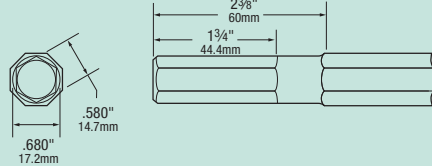


Non-Collar Chipping Hammer Chisels

.680 ROUND SHANK



.580 HEX SHANK



.680 ROUND SHANK					.580 HEX SHANK				
CAT.NO.	STOCK SIZE	LENGTH	WIDTH	WT	CAT.NO.	STOCK SIZE	LENGTH	WIDTH	WT
1	3/4"	8"	—	1 lb.	2	3/4"	8"	—	1 lb.
1-12	3/4"	12"	—	1.4 lb.	2-12	3/4"	12"	—	1.4 lb.
1-18	3/4"	18"	—	2.3 lb.	2-18	3/4"	18"	—	2.3 lb.
1-24	3/4"	24"	—	3 lb.	2-24	3/4"	24"	—	3 lb.
1-36	3/4"	36"	—	4.75 lb.	2-36	3/4"	36"	—	4.75 lb.
1-48	3/4"	48"	—	6.25 lb.	2-48	3/4"	48"	—	6.25 lb.
3	7/8"	8"	—	1.5 lb.	4	7/8"	8"	—	1.5 lb.
3-12	7/8"	12"	—	2 lb.	4-12	7/8"	12"	—	2 lb.
3-18	7/8"	18"	—	3 lb.	4-18	7/8"	18"	—	3 lb.
3-24	7/8"	24"	—	4.25 lb.	4-24	7/8"	24"	—	4.25 lb.
3-36	7/8"	36"	—	6.5 lb.	4-36	7/8"	36"	—	6.5 lb.
3-48	7/8"	48"	—	8.75 lb.	4-48	7/8"	48"	—	8.75 lb.
91	3/4"	9"	—	1 lb.	92	3/4"	9"	—	1 lb.
93	3/4"	12"	—	1.4 lb.	94	3/4"	12"	—	1.4 lb.
95	7/8"	9"	—	1.5 lb.	96	7/8"	9"	—	1.5 lb.
97	7/8"	12"	—	2 lb.	98	7/8"	12"	—	2 lb.
11	3/4"	9"	7/8"	1 lb.	12	3/4"	9"	3/4"	1 lb.
11-12	3/4"	12"	7/8"	1.5 lb.	12-12	3/4"	12"	3/4"	1 lb.
11-18	3/4"	18"	7/8"	2.3 lb.	12-18	3/4"	18"	3/4"	1 lb.
11-24	3/4"	24"	7/8"	3 lb.	12-24	3/4"	24"	3/4"	1 lb.
11-36	3/4"	36"	7/8"	4.75 lb.	12-36	3/4"	36"	3/4"	1 lb.
11-48	3/4"	48"	7/8"	6.25 lb.	12-48	3/4"	48"	3/4"	1 lb.
11-60	3/4"	60"	7/8"	8 lb.	12-60	3/4"	60"	3/4"	1 lb.
11-72	3/4"	72"	7/8"	9.5 lb.	12-72	3/4"	72"	3/4"	1 lb.
13	7/8"	9"	1"	1 lb.	14	7/8"	9"	1"	1 lb.
13-12	7/8"	12"	1"	2 lb.	14-12	7/8"	12"	1"	1 lb.
13-18	7/8"	18"	1"	3 lb.	14-18	7/8"	18"	1"	1 lb.
13-24	7/8"	24"	1"	4.25 lb.	14-24	7/8"	24"	1"	1 lb.
13-36	7/8"	36"	1"	6.5 lb.	14-36	7/8"	36"	1"	1 lb.
13-48	7/8"	48"	1"	8.75 lb.	14-48	7/8"	48"	1"	1 lb.
13-60	7/8"	60"	1"	11 lb.	14-60	7/8"	60"	1"	1 lb.
13-72	7/8"	72"	1"	13 lb.	14-72	7/8"	72"	1"	1 lb.
25	3/4"	9"	2"	1.1 lb.	26	3/4"	9"	2"	1.1 lb.
25-12	3/4"	12"	2"	1.6 lb.	26-12	3/4"	12"	2"	1.6 lb.
25-18	3/4"	18"	2"	2.5 lb.	26-18	3/4"	18"	2"	2.5 lb.
27	7/8"	9"	2"	1.7 lb.	28	7/8"	9"	2"	1.7 lb.
27-12	7/8"	12"	2"	2.1 lb.	28-12	7/8"	12"	2"	2.1 lb.
27-18	7/8"	18"	2"	3.25 lb.	28-18	7/8"	18"	2"	3.25 lb.
35	3/4"	9"	1 1/8"	1 lb.	36	3/4"	9"	1 1/8"	1 lb.
37	7/8"	9"	1 1/8"	1.5 lb.	40	7/8"	9"	1 1/8"	1.5 lb.
21	3/4"	9"	7/16"	1 lb.	22	3/4"	9"	7/16"	1 lb.
23	7/8"	9"	7/16"	1.5 lb.	24	7/8"	9"	7/16"	1.5 lb.
31	3/4"	9"	3/8"	1 lb.	32	3/4"	9"	3/8"	1 lb.
33	7/8"	9"	3/8"	1.5 lb.	34	7/8"	9"	3/8"	1.5 lb.
41	3/4"	9"	5/16"	1 lb.	42	3/4"	9"	5/16"	1 lb.
43	7/8"	9"	5/16"	1.5 lb.	44	7/8"	9"	5/16"	1.5 lb.
51	3/4"	9"	1"	1 lb.	52	3/4"	9"	1"	1 lb.
53	7/8"	9"	1"	1.5 lb.	54	7/8"	9"	1"	1.5 lb.

POINT STYLE

Blank



Moil Point



Flat Chisel



Scaling Chisel



Thin Blade Flat



Cape Chisel



Round Nose



Diamond Point



Gouge

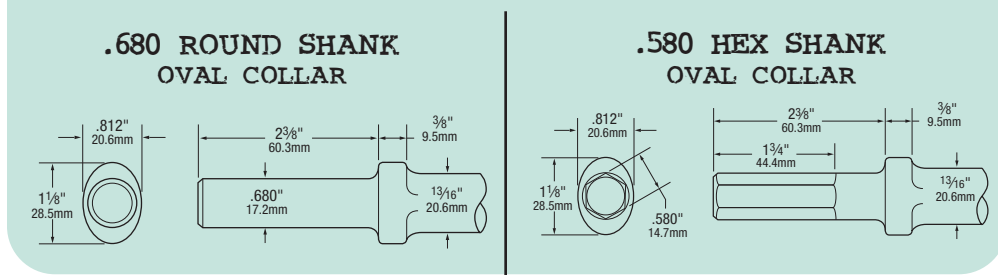


NOTE: Pneumatic Chipping Hammers are equipped with either .680 round nose bushings or .580 hex nose bushings. Refer to manufacturer's hammer model number for specifications.





Oval Collar Chipping Hammer Chisels



POINT STYLE

Round Blank



Moil Point



Flat Chisel



Scaling Chisel



Ripper



Cape Chisel



Round Nose



Diamond Point



Gouge



2 Pc. Bush Tool



1 Pc. Bush Tool



.680 ROUND SHANK OVAL COLLAR				.580 HEX SHANK OVAL COLLAR			
CAT.NO.	LENGTH	WIDTH	WT	CAT.NO.	LENGTH	WIDTH	WT
301	8 1/4"	13/16" Dia.	1.25 lbs.	302	8 1/4"	13/16" Dia.	1.25 lbs.
301-12	11 1/4"	13/16" Dia.	1.5 lbs.	302-12	11 1/4"	13/16" Dia.	1.5 lbs.
301-18	18"	13/16" Dia.	2.5 lbs.	302-18	18"	13/16" Dia.	2.5 lbs.
301-24	24"	13/16" Dia.	3.25 lbs.	302-24	24"	13/16" Dia.	3.25 lbs.
313	9"	—	1.25 lbs.	314	9"	—	1.25 lbs.
315	12"	—	1.5 lbs.	316	12"	—	1.5 lbs.
315-18	18"	—	2.5 lbs.	316-18	18"	—	2.5 lbs.
315-24	24"	—	3.25 lbs.	316-24	24"	—	3.25 lbs.
303	9"	1"	1.25 lbs.	304	9"	1"	1.25 lbs.
303-12	12"	1"	1.5 lbs.	304-12	12"	1"	1.5 lbs.
303-18	18"	1"	2.5 lbs.	304-18	18"	1"	2.5 lbs.
303-24	24"	1"	3.25 lbs.	304-24	24"	1"	3.25 lbs.
303-36	36"	1"	5.1 lbs.	304-36	36"	1"	5.1 lbs.
303-48	48"	1"	6.9 lbs.	304-48	48"	1"	6.9 lbs.
303-60	60"	1"	8.7 lbs.	304-60	60"	1"	8.7 lbs.
303-72	72"	1"	10.2 lbs.	304-72	72"	1"	10.2 lbs.
325	9"	1 1/2"	1.25 lbs.	326	9"	1 1/2"	1.25 lbs.
325-12	12"	1 1/2"	1.5 lbs.	326-12	12"	1 1/2"	1.5 lbs.
325-18	18"	1 1/2"	2.5 lbs.	326-18	18"	1 1/2"	2.5 lbs.
323	9"	2"	1.25 lbs.	324	9"	2"	1.25 lbs.
323-12	12"	2"	1.75 lbs.	324-12	12"	2"	1.75 lbs.
323-18	18"	2"	2.75 lbs.	324-18	18"	2"	2.75 lbs.
323-24	24"	2"	3.75 lbs.	324-24	24"	2"	3.75 lbs.
323-36	36"	2"	5.75 lbs.	324-36	36"	2"	5.75 lbs.
323-48	48"	2"	7.75 lbs.	324-48	48"	2"	7.75 lbs.
323-60	60"	2"	9.75 lbs.	324-60	60"	2"	9.75 lbs.
323-72	72"	2"	11.75 lbs.	324-72	72"	2"	11.75 lbs.
323-3	9"	3"	1.5 lbs.	324-3	9"	3"	1.5 lbs.
323-12-3	12"	3"	1.75 lbs.	324-12-3	12"	3"	1.75 lbs.
323-4-1/2	10"	4 1/2"	2.25 lbs.	324-4-1/2	10"	4 1/2"	2.25 lbs.
311	9"	1 1/16"	1.0 lbs.	312	9"	1 1/16"	1.0 lbs.
311-12	12"	1 1/16"	1.4 lbs.	312-12	12"	1 1/16"	1.4 lbs.
305	9"	7/16"	1.0 lbs.	306	9"	7/16"	1.0 lbs.
305-12	12"	7/16"	1.4 lbs.	306-12	12"	7/16"	1.4 lbs.
307	9"	3/8"	1.0 lbs.	308	9"	3/8"	1.0 lbs.
307-12	12"	3/8"	1.4 lbs.	308-12	12"	3/8"	1.4 lbs.
309	9"	5/16"	1.1 lbs.	310	9"	5/16"	1.1 lbs.
309-12	12"	5/16"	1.5 lbs.	310-12	12"	5/16"	1.5 lbs.
337	9"	1"	1.1 lbs.	338	9"	1"	1.1 lbs.
337-12	12"	1"	1.5 lbs.	338-12	12"	1"	1.5 lbs.
343	9 1/2"	—	2.25 lbs.	344	9 1/2"	—	2.25 lbs.
345 STEM	8"	—	1.0 lbs.	346 STEM	8"	—	1.0 lbs.
5101 HEAD	—	1 1/2" SQ	1.25 lbs.	5101 HEAD	—	1 1/2" SQ	1.25 lbs.
50100	9 1/2"	1 3/4" SQ	2.5 lbs.	50200	9 1/2"	1 3/4" SQ	2.5 lbs.

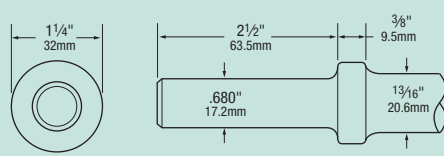
NOTE: Pneumatic Chipping Hammers are equipped with either .680 round nose bushings or .580 hex nose bushings. Refer to manufacturer's hammer model number for specifications.



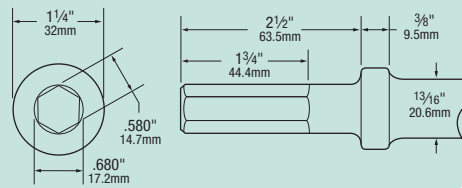


Round Collar Chipping Hammer Chisels

**.680 ROUND SHANK
ROUND COLLAR**



**.580 HEX SHANK
ROUND COLLAR**



CAT.NO.	LENGTH	WIDTH	WT	CAT.NO.	LENGTH	WIDTH	WT
401	8 1/4"	13/16" Dia.	1.25 lbs	402	8 1/4"	13/16" Dia.	1.25 lbs
403	11 1/4"	13/16" Dia.	1.5 lbs	404	11 1/4"	13/16" Dia.	1.5 lbs
403-18	18"	13/16" Dia.	2.5 lbs	404-18	18"	13/16" Dia.	2.5 lbs
409	9"	—	1.25 lbs	410	9"	—	1.25 lbs
411	12"	—	1.5 lbs	412	12"	—	1.5 lbs
411-18	18"	—	2.5 lbs	412-18	18"	—	2.5 lbs
411-24	24"	—	3.25 lbs	412-24	24"	—	3.25 lbs
405	9"	1"	1.25 lbs	406	9"	1"	1.25 lbs
407	12"	1"	1.5 lbs	408	12"	1"	1.5 lbs
407-18	18"	1"	2.5 lbs	408-18	18"	1"	2.5 lbs
407-24	24"	1"	3.25 lbs	408-24	24"	1"	3.25 lbs
407-36	36"	1"	5 lbs	408-36	36"	1"	5 lbs
407-48	48"	1"	6 lbs	408-48	48"	1"	6 lbs
407-60	60"	1"	8 lbs	408-60	60"	1"	8 lbs
407-72	72"	1"	10 lbs	408-72	72"	1"	10 lbs
425	9"	1 1/2"	1.25 lbs	426	9"	1 1/2"	1.25 lbs
425-12	12"	1 1/2"	1.5 lbs	426-12	12"	1 1/2"	1.5 lbs
425-18	18"	1 1/2"	2.5 lbs	426-18	18"	1 1/2"	2.5 lbs
423	9"	2"	1.25 lbs	424	9"	2"	1.25 lbs
423-12	12"	2"	1.75 lbs	424-12	12"	2"	1.75 lbs
423-18	18"	2"	2.75 lbs	424-18	18"	2"	2.75 lbs
423-24	24"	2"	3.75 lbs	424-24	24"	2"	3.75 lbs
423-36	36"	2"	5.75 lbs	424-36	36"	2"	5.75 lbs
423-48	48"	2"	7.75 lbs	424-48	48"	2"	7.75 lbs
423-60	60"	2"	9.75 lbs	424-60	60"	2"	9.75 lbs
423-72	72"	2"	11.75 lbs	424-72	72"	2"	11.75 lbs
423-3	9"	3"	1.5 lbs	424-3	9"	3"	1.5 lbs
423-12-3	12"	3"	1.75 lbs	424-12-3	12"	3"	1.75 lbs
423-4-1/2	10"	4 1/2"	2.25 lbs	424-4-1/2	10"	4 1/2"	2.25 lbs
413	9"	7/16"	1.0 lbs	414	9"	7/16"	1.0 lbs
413-12	12"	7/16"	1.4 lbs	414-12	12"	7/16"	1.4 lbs
417	9"	3/8"	1.0 lbs	418	9"	3/8"	1.0 lbs
417-12	12"	3/8"	1.4 lbs	418-12	12"	3/8"	1.4 lbs
419	9"	5/16"	1.1 lbs	420	9"	5/16"	1.1 lbs
419-12	12"	5/16"	1.5 lbs	420-12	12"	5/16"	1.5 lbs
437	9"	1"	1.1 lbs	438	9"	1"	1.1 lbs
437-12	12"	1"	1.5 lbs	438-12	12"	1"	1.5 lbs
443	9 1/2"		2.25 lbs	444	9 1/2"		2.25 lbs
445 STEM	8"		1.0 lbs	446 STEM	8"		1.0 lbs
5101 HEAD	—	1 1/2" SQ	1.25 lbs	5101 HEAD	—	1 1/2" SQ	1.25 lbs
50300	9 1/2"	1 3/4" SQ	2.5 lbs	50400	9 1/2"	1 3/4" SQ	2.5 lbs
429	16 3/4"	7/8"	2.1 lbs				
431	18 1/4"	7/8"	2.2 lbs				
433	16 3/4"	7/8"	2.1 lbs				
435	18 1/4"	7/8"	2.2 lbs				



POINT STYLE

Round Blank



Moil Point



Flat Chisel



Scaling Chisel



Cape Chisel



Round Nose



Diamond Point



Gouge



2 Pc. Bush Tool



1 Pc. Bush Tool



Paper Stripper

Bent



Straight





Chipping Hammer Retainers

INTERNAL PARTS FOR NO. 3750

1472 (H3R-31) Washer (2 pc.) Upper



1473 (H3R-203) Bumper



1474 (HHW1-213) Washer (2 pc.) Lower



1475 (HHW1-216) Retainer Ring



1476 (24SR-207) Lock Spring (AT1191-8) Also fits Retainer #3450



RETAINER SPRINGS

300 Heavy Duty Lock Spring
(AT No. 1194)
Fits retainers #3400 and #4000
No. 300-P (pkg. of 100 pcs.)



350 Standard Duty Lock Spring
Fits retainers #3400 and #4000
No. 350-P (pkg. of 100 pcs.)



400 "The Ringer"
Made of 8000 PSI Polyurethane
Fits retainers #3400 and #4000
No. 400-P (pkg. of 100 PCS.)



WARNING:
Wear Safety
Goggles



3400 Retainer

AJAX Kwik Change Retainer
Accepts Both Oval or Round Collar Tools

- Kwik Change feature allows easy removal/replacement of tool
- Six steel balls hold tool securely in place
- Any width tool can be inserted
- Uses No. 300 heavy-duty spring supplied with unit

*See page 19 for ordering information.



REPLACEMENT PARTS FOR #3400

- 300 Lock Spring
 - 3404 Snap Washer
 - 3401* Body
 - 3405* "O" ring
 - 3402 Sleeve
 - 3406 Balls (6 per set)
 - 3403 Spring
- *Specify hammer manufacturer and model number

3450 Threaded Retainer

REPLACEMENT PARTS FOR #3450

- 1476 Lock Spring
- 3450-3 Spring
- 3450-1 Body
- 3404 Snap Washer
- 3450-2 Sleeve
- 3406 Balls (6 per set)

All the advantages of our No. 3400, now available for hammers with threaded barrels. Uses No. 1476 lock spring, supplied with unit.



3750 Threaded Solid Retainer

FOR USE WITH ROUND COLLAR TOOLS ONLY

Can be used on hammers with threaded barrels. Retainer must be removed from tool to change chisels. Supplied with No. 1476 lock spring.

Interchangeable with: (AT No. 1198) (I-R No. HHWI-300)



4000 Solid Retainer

FOR USE WITH OVAL COLLAR TOOLS ONLY

Fits hammers with tapered barrels. Supplied with No. 350 standard-duty lock spring.

Interchangeable with: (AT No. 1190)

*See page 19 for ordering information.





Chipping Hammer Retainers

	MODEL	3400 ORDER	3450 ORDER	3750 ORDER	4000 ORDER
AMER. PNEUMATIC	500-600	3400-3			4000-3
AMER. PNEUMATIC	550-650	3400-5			4000-5
AMER. PNEUMATIC	106	3400-12			4000-12
AMER. PNEUMATIC	520-620 SERIES (THREADED)		3450	3750	
ATLAS COPCO	317, 317D, 319, 419	3400-2			4000-2
A.T.P. -HY-TECH	ATP-2HB, ATP-3HB, ATP-4HB	3400-2			4000-2
ATSCO	ALL MODELS	3400-3			4000-3
CHICAGO PNEUMATIC	RV-0-1-2-3-4, CP4234	3400-1			4000-1
CHICAGO PNEUMATIC	SIMPLATE 1-2-3-4, CP4123	3400-2			4000-2
CHICAGO PNEUMATIC	BOYER 1-2-3-4	3400-5			4000-5
CHICAGO PNEUMATIC	9362-9363-9364	3400-2			4000-2
CLECO	1WM-2WM-3WM-C20B-C30B	3400-5			4000-5
CLECO	C20-C30	3400-8			4000-8
CLECO	2WA-3WA-2WAM-3WAM	3400-13			4000-13
CLECO	CL3-OWBD	3400-20			4000-20
CLECO	CH-22, CH-32	3400-5			4000-5
CONTINENTAL POWER TOOL	CH-1A-2A-3A-4A	3400-2			4000-2
GARDNER DENVER	CH3 SERIES	3400-14			4000-14
INGERSOLL-RAND	1-2-200-2A-3-300-3A-4-400	3400-3			4000-3
INGERSOLL-RAND	K2L	3400-12			4000-12
INGERSOLL-RAND	W-SERIES (THREADED)		3450	3750	
JET	JCO SERIES	3400-2			4000-2
KENT	RED LINE KC 1-2-3-4	3400-17			4000-17
KENT	RED LINE KJ 1-2-3-4 (KCB)	3400-2			4000-2
KENT	GREEN LINE 1-2-3-4	3400-17			4000-17
MASTER POWER	1, 2E, 3E, 4	3400-10			4000-10
MICHIGAN PNEUMATIC	ALL MODELS	3400-2			4000-2
SULLAIR	SCH-2-3-4	3400-2			4000-2
SULLAIR	MCH-2-3-4	3400-2			4000-2
SULLIVAN	SCH-2-3-4	3400-2			4000-2
SULLIVAN	SCH-01-02-03-04	3400-2			4000-2
SULLIVAN	SCH-11	3400-5			4000-5
TC SERVICE	10-20-30-40	3400-17			4000-17
THOR	00-11-22-33-CH3	3400-5			4000-5
UNIVERSAL TOOL	8600 SERIES	3400-2			4000-2
URYU	ALL MODELS	3400-18			4000-18
U.S. INDUSTRIAL	502TB-503TB-5045B (THREADED)		3450	3750	

HOSE SWIVELS

For most chipping hammers, as well as larger tools having 1/2" pipe threads.

Swivels eliminate hose kinking or twisting and provide greater operator efficiency.



- 1060* 1/2" Pipe Thread Hose Swivel
- 1061 Body
- 1063 Snap Ring
- 1062 Nut
- 1082 "O" ring



- 1090* 7/8"-20 Thread Hose Swivel
- 1081 Body
- 1084 Snap Ring
- 1091 Nut
- 1082 "O" ring



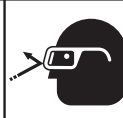
- 1080* 7/8"-24 Thread Hose Swivel
- 1081 Body
- 1084 Snap Ring
- 1083 Nut
- 1082 "O" ring



- 1092 7/8"-24 Thread with 3/8 NPT Hose Swivel
- 1093 Body
- 1084 Snap Ring
- 1083 Nut
- 1082 "O" ring

*NOTE: 1/2" hose barb on 1060, 1080 and 1090

WARNING:
Wear Safety Goggles





Beryllium Copper Safety Tools



WEDGES

For use in chemical and oil refinery applications.



- NON-SPARKING
- NON-MAGNETIC
- FOR USE WHERE FLAMMABLE VAPORS OR RESIDUE ARE PRESENT.

295-BC Ripper Chisel Jumbo Shank

9 1/2" OAL
For Rivet Hammers



323-BC Chisel

.680 Round Shank Oval Collar, 2 1/2" x 10"
For Chipping Hammers



380-BC Chisel

2" x 8" OAL
For use in most Scaling Hammers



390-BC Chisel

2" x 7" OAL
For use in most Cleco-Roto-Aro Scalers



909-BC Panel Cutter

6" OAL
For use in .401 Air Hammers



910-2-BC Chisel

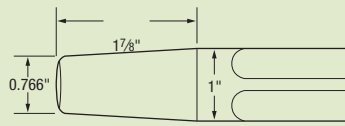
2" x 7" OAL
For use in .401 Air Hammers



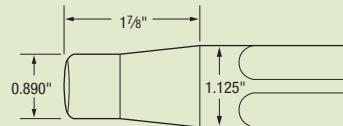


Rivet Buster Tools

STANDARD SHANK



JUMBO SHANK



CAT.NO.	LENGTH	WIDTH	WT.
245	9"	—	1.5 lbs.
246	12"	—	2.1 lbs.
246-18	18"	—	2.5 lbs.

221	9"	7/8"	1.5 lbs.
221-12	12"	7/8"	2.1 lbs.
221-18	18"	7/8"	3.2 lbs.

222	9"	7/8"	1.5 lbs.
-----	----	------	----------

CAT.NO.	LENGTH	RIVET SIZE	WT.
223	9"	3/8"	1.3 lbs.
224	9"	1/2"	1.4 lbs.
225	9"	5/8"	1.5 lbs.
226	9"	3/4"	1.6 lbs.
227	9"	7/8"	1.6 lbs.
228	9"	1"	1.7 lbs.

CAT.NO.	LENGTH	RIVET SIZE	CLEARANCE	WT.
231	9 1/2"	5/8"	4"	1.3 lbs.
232	11 1/2"	5/8"	6"	1.4 lbs.
233	13 1/2"	5/8"	8"	1.7 lbs.
234	9 1/2"	3/4"	4"	1.5 lbs.
235	11 1/2"	3/4"	6"	1.7 lbs.
236	13 1/2"	3/4"	8"	1.9 lbs.
237	9 1/2"	7/8"	4"	1.8 lbs.
238	11 1/2"	7/8"	6"	2.1 lbs.
239	13 1/2"	7/8"	8"	2.3 lbs.

CAT.NO.	LENGTH	WIDTH	WT.
241	9"	—	1.6 lbs.

CAT.NO.	LENGTH	WIDTH	WT.
296	10"	—	2 lbs.
297	12"	—	2.5 lbs.
297-18	18"	—	3.9 lbs.
297-24	24"	—	4.6 lbs.

276	9 1/2"	15/16"	1.9 lbs.
276C	9 1/2"	15/16"	1.9 lbs.
276-12	12"	15/16"	2.5 lbs.
276-12C	12"	15/16"	2.5 lbs.
276-18	18"	15/16"	3.9 lbs.
276-18C	18"	15/16"	3.9 lbs.
276-24	24"	15/16"	4.6 lbs.

Note: Jumbo flat chisels marked "C" are carbon steel for concrete.

276-AC	10"	15/16"	2 lbs.
--------	-----	--------	--------

277	9 1/2"	15/16"	2 lbs.
-----	--------	--------	--------

276-12-2	12"	2"	3.25 lbs.
----------	-----	----	-----------

Note: Use Ajax No. 274-S Split Lower Sleeve with 2" Chisels.

CAT.NO.	LENGTH	RIVET SIZE	WT.
278	9 1/2"	3/8"	1.5 lbs.
279	9 1/2"	1/2"	1.7 lbs.
280	9 1/2"	5/8"	1.8 lbs.
281	9 1/2"	3/4"	1.9 lbs.
282	9 1/2"	7/8"	1.9 lbs.
283	9 1/2"	1"	2 lbs.
284	9 1/2"	1 1/8"	2 lbs.

CAT.NO.	LENGTH	RIVET SIZE	CLEARANCE	WT.
285	10"	5/8"	4"	1.7 lbs.
286	12"	5/8"	6"	1.8 lbs.
287	14"	5/8"	8"	1.9 lbs.
288	10"	3/4"	4"	1.8 lbs.
289	12"	3/4"	6"	2 lbs.
290	14"	3/4"	8"	2.3 lbs.
291	10"	7/8"	4"	2 lbs.
292	12"	7/8"	6"	2.2 lbs.
293	14"	7/8"	8"	2.7 lbs.

CAT.NO.	LENGTH	WIDTH	WT.
295	9 1/2"	—	1.6 lbs.

298	7 1/2"	—	1.6 lbs.
-----	--------	---	----------

258	10"	—	4 lbs.
-----	-----	---	--------

*Note: Use Ajax 274-S Split Lower Sleeve

259	7 1/2"	—	1.9 lbs.
-----	--------	---	----------

*Note: Use Ajax 274-S Split Lower Sleeve

257	15"	5"	6 lbs.
-----	-----	----	--------



POINT STYLE

Moil Point



Flat Chisel



Flat 2" Wide Chisel



Back Out Punch



Long Clearance Back Out Punch



Ripper



Drift Pin Driver



2" x 2" Square Bush Tool



1" Dia. Hole Pin Driver




Asphalt Cutter






Rivet Buster Accessories

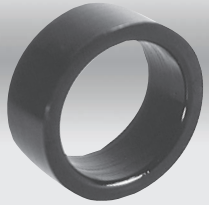
215 Rubber Bumper for Standard Tools

#215-P = Pkg. of 50 pcs.

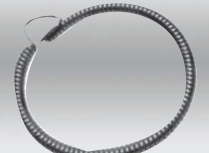


275 Rubber Bumper for Jumbo Tools

#275-P = Pkg. of 50 pcs.



275-PBJ Polyester Bumper for Jumbo Tools with harder finish for long life




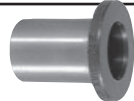


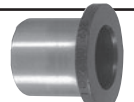
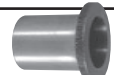

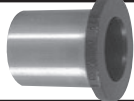
206 Lock Spring

#206-P = Pkg. of 100 pcs.




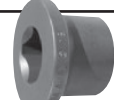
NOTE: Ajax No. 214-S and Ajax No. 274-S Split Lower Sleeves available for use with Extra Wide Chisels and Punches.







Upper Sleeves

211	Upper Sleeve for Standard Tools	
212	Upper Sleeve for Standard Tools #212-P = Pkg. of 50 pcs.	
212-J	Upper Sleeve for Jumbo Tools This sleeve used in standard buster with jumbo tools.	
213	Upper Sleeve for Standard Tools	
262	Upper Sleeve for Jumbo Tools Fits C.P.T. #4181 Model "V" Type	
270	Upper Sleeve for Jumbo Tools	
271	Upper Sleeve for Jumbo Tools	
272	Upper Sleeve for Jumbo Tools #272-P = Pkg. of 50 pcs.	
272-4	Upper Sleeve (These sleeves are used in Jumbo Buster with Standard Tools)	

Lower Sleeves

214	Lower Sleeve for Standard Tools #214-P = Pkg. of 50 pcs.	
214-900	Lower Sleeve for Standard Tools	
273	Lower Sleeve for Jumbo Tools This sleeve used in standard buster with jumbo tools.	
274	Lower Sleeve for Jumbo Tools #274-P = Pkg. of 50 pcs.	
274-4	Lower Sleeve (These sleeves are used in Jumbo Buster with Standard Tools)	

Retainers

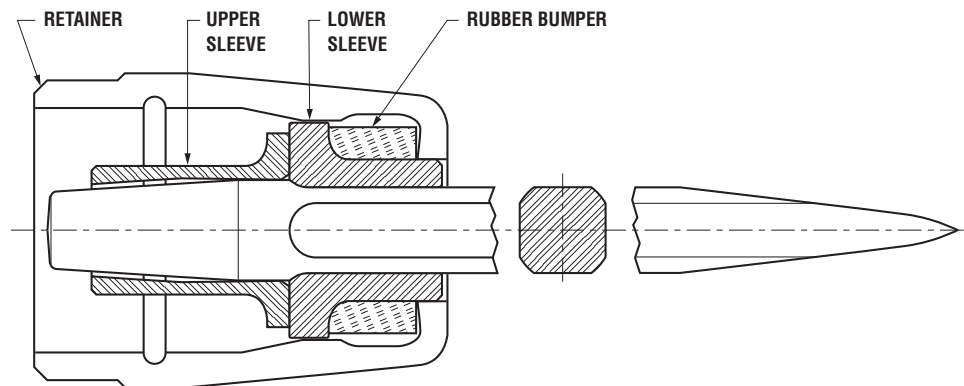
205		207	
208		209	





Rivet Buster Accessories

Rivet Buster Retainer & Sleeve Alignment



RETAINERS, SLEEVES & BUMPERS SPECIFICATION CHART

HAMMER MANUFACTURER	MODEL #	RETAINER CAT. #	RETAINER INSIDE DIA.	UPPER SLEEVE	LOWER SLEEVE	BUMPER	SHANK TYPE
AMERICAN PNEUMATIC	133	208	2.610	272	274	275	JUMBO
ATLAS COPCO TOOLS	TEX-830,TEX-1133	207	2.570	272	274	275	JUMBO
ATSCO	RB-08, RB-11	208	2.610	272	274	275	JUMBO
CHICAGO PNEUMATIC TOOL	BOYER 50, 60, 80, 80X, 90	205-2.445	2.445	212	214	215	STANDARD
CHICAGO PNEUMATIC TOOL	BOYER NO. 11*	209	2.445	271	274	275	JUMBO
CHICAGO PNEUMATIC TOOL	BOYER NO. 11*	209	2.445	270	274	275	JUMBO
CHICAGO PNEUMATIC TOOL	4181, 81X, 11X	207	2.570	272	274	275	JUMBO
CONTINENTAL AIR TOOLS	CRB-8, CRB-11	207	2.570	272	274	275	JUMBO
INGERSOLL RAND	8001A	207	2.570	272	274	275	JUMBO
INGERSOLL RAND	9001	N/A		272	274	275	JUMBO
JET EQUIPMENT	RB90	N/A		212	214	215	STANDARD
JET EQUIPMENT	RB91	N/A		212-J	273	215	JUMBO
KAISER	KRB-8, KRB-11	208	2.610	272	274	275	JUMBO
KENT	K-800, K-1100	207	2.570	272	274	275	JUMBO
MCDONALD	DM12	N/A		272	274	275	JUMBO
SULLAIR	MRB-8, MRB-11	207	2.57	272	274	275	JUMBO
SULLIVAN	SRB-8, SRB-11	208	2.610	272	274	275	JUMBO
THOR	50, 53, 60, 63, 80, 83, 90, 93	205-2.385	2.385	211	214	214	STANDARD
THOR	50, 53, 60, 63, 80, 83, 90, 93	205-2.385	2.385	270	273	215	JUMBO
THOR	RB-08, RB-11	208	2.610	272	274	275	JUMBO

NOTE: *Chicago Pneumatic Boyer No. 11 uses either #271 upper sleeve with special Parker taper or #270 upper sleeve with 111/32" straight shank. Please check your hammer.

WARNING:
Wear Safety Goggles



Exchanger Tube Back Out Punch

240 Standard Shank

Furnished for 1/2" (13mm), 5/8" (16mm), 3/4" (19mm), 7/8" (22mm), 1" (25mm), 1 1/8" (29mm), and 1 1/4" (32mm) dia. tubes.



294 Jumbo Shank

Furnished for various gauge tubes as may be specified. Furnished with 4" (102mm), 6" (152mm) or 8" (203mm) clearance.

Tube size is maintained immediately next to Shearing Point, balance of clearance length is relieved by grinding to .020" (.50mm) under tube size to eliminate binding. Pilot diameter varies to comply with gauge and inside diameter of tube. Please specify size and gauge of tube and length of clearance wanted. i.e. 294-3/4x12x8

NOTE: Other shank styles available on request.





Paving Breaker Tools



POINT STYLE

Standard Moil Point
General concrete demolition



Standard Narrow Chisel
General concrete demolition



Standard 3" Wide Chisel
Cutting pavement overlay, general concrete demolition



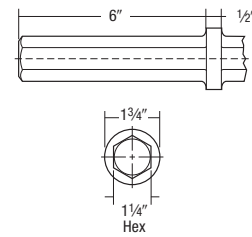
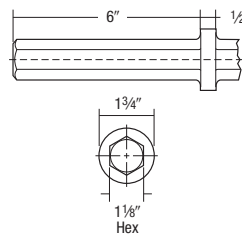
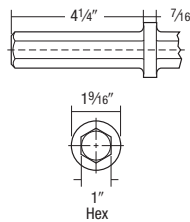
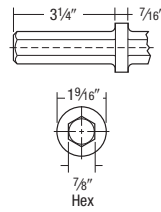
Asphalt Cutter
5" x 6" Cutting asphalt, hardpan and compacted soil



Small Asphalt Cutter
4 1/2" x 3" Cutting asphalt, hardpan and compacted soil



Clay Spade
Clay and other rock-free soil
5 1/2" x 6 1/2"
• 4 1/2" x 8 1/2"



7/8" X 3 1/4"

1" X 4 1/4"

1 1/8" X 6"

1 1/4" X 6"

7/8" X 3 1/4"			1" X 4 1/4"			1 1/8" X 6"			1 1/4" X 6"		
CAT.NO.	LGTH. U.C.	WT.	CAT.NO.	LGTH. U.C.	WT.	CAT.NO.	LGTH. U.C.	WT.	CAT.NO.	LGTH. U.C.	WT.
11200	14"	3 1/4 lbs	21200	14"	4 3/4 lbs	31200	14"	6 lbs	41200	14"	7 1/4 lbs
12200	18"	4 lbs	22200	18"	5 1/4 lbs	32200	18"	7 1/4 lbs	42200	18"	9 lbs
13200	24"	4 3/4 lbs	23200	24"	6 3/4 lbs	33200	24"	9 lbs	43200	24"	11 lbs
14200	36"	6 1/4 lbs	24200	36"	8 3/4 lbs	34200	36"	12 1/2 lbs	44200	36"	15 3/4 lbs
			25200	48"	13 lbs	35200	48"	16 lbs	45200	48"	20 1/4 lbs
			26200	60"	15 1/2 lbs	36200	60"	20 lbs	46200	60"	24 3/4 lbs
			27200	72"	19 lbs	37200	72"	24 lbs	47200	72"	30 lbs
<hr/>											
11100	14"	3 1/4 lbs	21100	14"	4 3/4 lbs	31100	14"	6 lbs	41100	14"	7 1/4 lbs
12100	18"	4 lbs	22100	18"	5 1/4 lbs	32100	18"	7 1/4 lbs	42100	18"	9 lbs
13100	24"	4 3/4 lbs	23100	24"	6 3/4 lbs	33100	24"	9 lbs	43100	24"	11 lbs
14100	36"	6 1/4 lbs	24100	36"	8 3/4 lbs	34100	36"	12 1/2 lbs	44100	36"	15 3/4 lbs
			25100	48"	13 lbs	35100	48"	16 lbs	45100	48"	20 1/4 lbs
			26100	60"	15 1/2 lbs	36100	60"	20 lbs	46100	60"	24 3/4 lbs
			27100	72"	19 lbs	37100	72"	24 lbs	47100	72"	30 lbs
<hr/>											
11300	14"	3 1/2 lbs	21300	14"	5 lbs	31300	14"	6 3/4 lbs	41300	14"	8 lbs
12300	18"	4 1/4 lbs	22300	18"	6 lbs	32300	18"	8 lbs	42300	18"	9 1/2 lbs
13300	24"	5 1/2 lbs	23300	24"	7 1/2 lbs	33300	24"	9 1/2 lbs	43300	24"	11 1/2 lbs
14300	36"	8 lbs	24300	36"	10 1/2 lbs	34300	36"	12 3/4 lbs	44300	36"	16 1/4 lbs
			25300	48"	13 1/2 lbs	35300	48"	17 lbs	45300	48"	20 3/4 lbs
			26300	60"	17 lbs	36300	60"	20 3/4 lbs	46300	60"	25 1/4 lbs
			27300	72"	19 1/4 lbs	37300	72"	24 1/2 lbs	47300	72"	30 lbs
<hr/>											
18400		6 1/2 lbs	28400		6 1/2 lbs	38400		6 1/2 lbs	48400		8 1/4 lbs
<hr/>											
10011		6 1/2 lbs	20011		7 3/4 lbs	30011		7 3/4 lbs	40011		7 3/4 lbs
<hr/>											
19500		7 1/4 lbs	29500		8 1/4 lbs	39500		7 3/4 lbs	49500		10 lbs
			29501		7 1/2 lbs	39501		9 lbs	49501		9 3/4 lbs

Used for demolition of concrete in buildings, dams, roadwork. Industrial applications include breaking refractory liners from furnaces and chipping away slag and molten steel from ladles.

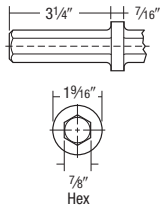
NOTE: LGTH. U.C. = Length Under Collar

WARNING:
Wear Safety Goggles

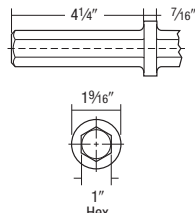




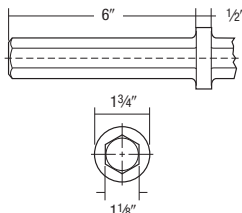
Paving Breaker Tools



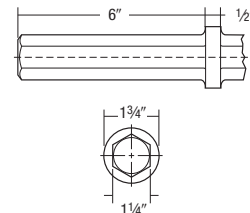
7/8" X 3-1/4"



1" X 4-1/4"



1-1/8" X 6"



1-1/4" X 6"

CAT.NO.	WT.	CAT.NO.	WT.	CAT.NO.	WT.	CAT.NO.	WT.
18401	9 1/4 lbs	28401	10 lbs	38401	10 1/2 lbs	48401	10 1/2 lbs
11080	6 1/2 lbs	21080	7 lbs	31080	8 1/2 lbs	41080	10 1/4 lbs
11060	8 1/2 lbs	21060	9 lbs	31060	13 lbs	41060	13 lbs
N/A		21140	6 1/2 lbs	31140	8 lbs	41140	8 3/4 lbs
N/A		21130	6 lbs	31130	7 lbs	41130	8 1/4 lbs
10010	6 1/4 lbs	20010	6 1/4 lbs	30010	8 1/4 lbs	40010	8 1/4 lbs
11700	8 3/4 lbs	21700	9 3/4 lbs	31700	10 3/4 lbs	41700	11 1/4 lbs

CAT.NO.	ROD SIZE	CAT.NO.	HOLE SIZE	ROD SIZE	CAT.NO.	HOLE SIZE	ROD SIZE	CAT.NO.	HOLE SIZE	ROD SIZE
N/A		21758	3/4"	5/8"	31758	3/4"	5/8"	41758	3/4"	5/8"
N/A		21734	7/8"	3/4"	31734	7/8"	3/4"	41734	7/8"	3/4"
N/A		21778	1"	7/8"	31778	1"	7/8"	41778	1"	7/8"
N/A		21701	1 1/8"	1"	31701	1 1/8"	1"	41701	1 1/8"	1"
N/A		21800		6 lbs	31800		7 1/2 lbs	41800		8 lbs

ATTACHMENTS FOR DETACHABLE SHANKS

2" TENT
STAKE DRIVER



TAMPING PAD
6" x 6" SQ.



TAMPING PAD
7" RD.



POINT STYLE

Long Spade 3 Edged
5" x 9" Clay and other
rock-free soil



Digging Chisel
3" x 10" Deeper penetration
in hardpan, gravel and similar
materials



Frost Wedge
1 7/8" x 12" Breaking up
frozen ground



Asphalt Wedge
3" x 7" Spitting
apart asphalt



Concrete Wedge
1" x 3" Splitting apart
concrete



Bushing Tool
2" x 2" Roughing up or
surface removal of concrete



Concrete Breaker
Breaking up concrete after
first drilling a hole



POINT STYLE

Ground Rod Driver
Driving electrical grounding
rods into the soil



Detachable Shank



Drill Steel

Roto Hammers

Carbide Utility Bit



Part No.	Bit Diam.	Drilling Depth	Overall Length
62005	1/2"	8"	12"
62010	5/8"	8"	12"
62020	5/8"	12"	16"
62030	5/8"	18"	22"
62040	3/4"	8"	12"
62050	3/4"	12"	16"
62060	3/4"	18"	22"
62070	7/8"	8"	12"
62080	7/8"	12"	16"
62090	7/8"	18"	22"
62100	1"	8"	12"
62110	1"	12"	16"
62120	1"	18"	22"
62130	1"	24"	28"

Roto Hammer Chisels



Part No.	Point Style	Overall Length
4020	Chisel Blank	9"
4021	Flat Chisel	10"
4025	Moil Point	10"
4027	Mortar Chisel	11"
4028	Slotting Tool	10"
4029	Tooth Chisel	9"
4024	Wood Chisel	12"
4045	Bush Tool Assembly	
4023	Bush Tool Stem	
5101	Bush Tool Head	

Roto Hammer Adaptors



Part No.	Description
4015	Std. "A" Taper Adaptors
4016	Std. "B" Taper Adaptors
938	Knockout Key for 4015, 4016

Roto Hammer Chisels, Adaptors and Utility Bits can be used with these models:

Chicago Pneumatic CP-9A
Sullair MRD-9 **Thor** 5LHD



Carbide Speed Bits



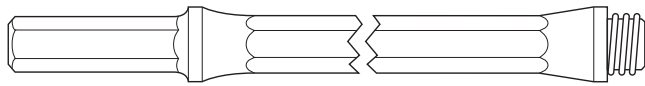
HOLE DIAM.	DRILLING DEPTH	LENGTH UNDER COLLAR	7/8" X 3 1/4"	7/8" X 4 1/4"	1" X 4 1/4"
			HEX SHANK PART NO.	HEX SHANK PART NO.	HEX SHANK PART NO.
5/8"	6"	9"	60010	60350	60700
5/8"	9"	12"	60020	60360	60710
5/8"	14"	18"	60030	60370	60720
5/8"	20"	24"	60035	60375	
3/4"	6"	9"	60040	60380	60730
3/4"	9"	12"	60050	60390	60740
3/4"	12"	18"	60060	60400	60750
3/4"	18"	24"	60070	60410	60760
3/4"	26"	30"	60080	60420	60770
3/4"	32"	36"	60081	60421	60771
3/4"	44"	48"	60082	60422	60772
7/8"	6"	9"	60090	60430	60780
7/8"	9"	12"	60100	60440	60790
7/8"	14"	18"	60110	60450	60800
7/8"	20"	24"	60120	60460	60810
7/8"	26"	30"	60130	60470	60820
7/8"	32"	36"	60131	60471	60821
7/8"	44"	48"	60132	60472	60822
1"	6"	9"	60140	60480	60830
1"	9"	12"	60150	60490	60840
1"	14"	18"	60160	60500	60850
1"	20"	24"	60170	60510	60860
1"	26"	30"	60180	60520	60870
1"	32"	36"	60181	60521	60871
1"	44"	48"	60182	60522	60872
1-1/8"	9"	12"	60190	60530	60880
1-1/8"	14"	18"	60200	60540	60890
1-1/8"	20"	24"	60210	60550	60900
1-1/8"	26"	30"	60220	60560	60910
1-1/8"	32"	36"	60221	60561	60911
1-1/8"	44"	48"	60222	60562	60912
1-1/4"	9"	12"	60230	60570	60920
1-1/4"	14"	18"	60240	60580	60930
1-1/4"	20"	24"	60250	60590	60940
1-1/4"	26"	30"	60260	60600	60950
1-1/4"	32"	36"	60261	60601	60951
1-1/4"	44"	48"	60262	60602	60952
1-3/8"	9"	12"	60270	60610	60960
1-3/8"	14"	18"	60280	60620	60970
1-3/8"	20"	24"	60290	60630	60980
1-3/8"	26"	30"	60300	60640	60990
1-3/8"	32"	36"	60301	60641	60991
1-3/8"	44"	48"	60302	60642	60992
1-1/2"	9"	12"	60310	60650	61000
1-1/2"	14"	18"	60320	60660	61010
1-1/2"	20"	24"	60330	60670	61020
1-1/2"	26"	30"	60340	60680	61030
1-1/2"	32"	36"	60341	60681	61031
1-1/2"	44"	48"	60342	60682	61032
1-5/8"	9"	12"	60343	60683	
1-5/8"	14"	18"	60344	60684	
1-5/8"	20"	24"	60345	60685	
1-5/8"	26"	30"	60346	60686	
1-5/8"	32"	36"	60347	60687	
1-5/8"	44"	48"	60348	60688	

NOTE: Some rock drill models offer multiple chuck sizes. Please verify before ordering bits.



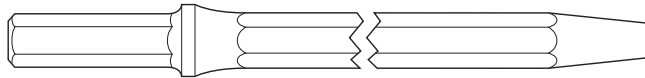
Drill Steel

Drill Rods



Length	"H" Thread 7/8" x 3-1/4" Shank	"E" Thread 7/8" x 3-1/4" Shank	"H" Thread 7/8" x 4-1/4" Shank	"H" Thread 1" x 4-1/4" Shank
	Part No.	Part No.	Part No.	Part No.
12"	64010	64015	64210	64410
18"	64020	64025	64220	64420
24"	64030	64035	64230	64430
30"	64040	64045	64240	64440
36"	64050	64055	64250	64450
48"	64060	64065	64260	64460
60"	64070	64075	64270	64470
72"	64080	64085	64280	64480
96"	64090	-	64290	64490
120"	64100	-	64300	64500

DRILL RODS 11° Tapered



7/8" x 3-1/4" Shank Part No.s	7/8" x 4-1/4" Shank Part No.s	1" x 4-1/4" Shank Part No.s
64110 — 64200	64310 — 64400	64510 — 64600

Carbide Rock Bits 11° Tapered



Single Use
63080 — 63190

Multi Use
63320 — 63390

CONTACT US FOR PRICE & AVAILABILITY

Carbide Rock Bits "H" Thread



CARBIDE Single Use

CARBIDE Multi Use

Diam.	Size Width	Part No.	Carbide Ht.	Part No.	Carbide Ht.
1 3/8"	8 mm	63010	7 mm	63220	11 mm
1 1/2"	8 mm	63020	7 mm	63230	11 mm
1 5/8"	9.5 mm	63030	7 mm	63240	14 mm
1 3/4"	9.5 mm	63040	7 mm	63250	14 mm
1 7/8"	9.5 mm	63050	7 mm	63260	14 mm
2"	9.5 mm	63060	7 mm	63270	14 mm
2 1/4"	9.5 mm	63070	7 mm	63280	14 mm
2 1/2"	9.5 mm	-	-	63290	14 mm
2 3/4"	9.5 mm	-	-	63300	14 mm
3"	9.5 mm	-	-	63310	14 mm

"MAXIMUS"

PILOTED CARBIDE ROCK BITS
(PILOT STARTS HOLE ACCURATELY)



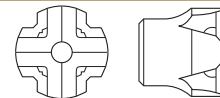
Part No.	Hole Dia.	Pilot Dia.	Carbide Ht.
63600	1-3/8"	5/8"	11.5 mm
63601	1-1/2"	5/8"	11.5 mm
63602	1-5/8"	5/8"	11.5 mm
63603	1-3/4"	5/8"	11.5 mm
63604	1-7/8"	5/8"	11.5 mm
63605	2"	1-1/8"	11.5 mm
63606	2-1/4"	1-1/8"	11.5 mm
63607	2-1/2"	1-1/8"	11.5 mm
63608	2-3/4"	1-1/8"	11.5 mm
63609	3"	1-1/8"	11.5 mm

"H" Extension Rods



Cat. No.	Description	Length
64710	"H" Extension Rod	12"
64720	"H" Extension Rod	18"
64730	"H" Extension Rod	24"
64740	"H" Extension Rod	30"
64750	"H" Extension Rod	36"
64760	"H" Extension Rod	48"
64770	"H" Extension Rod	60"
64780	"H" Extension Rod	72"
64790	"H" Extension Rod	96"
64800	"H" Extension Rod	120"
64700	"H" Thread Coupler	

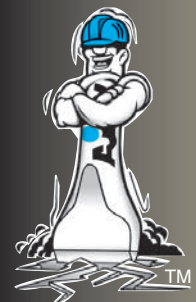
All Steel Rock Bits



Part No.	Hole Dia.	Thread
63400	15/16"	"E"
63410	1"	"E"
63420	1 1/8"	"E"
63430	1 1/4"	"E"
63440	1 3/8"	"H"
63450	1 1/2"	"H"
63460	1 5/8"	"H"
63470	1 3/4"	"H"
63480	1 7/8"	"H"
63490	2"	"H"
63500	2 1/2"	"H"



WARNING:
Wear Safety Goggles



Electric Hammer Chisels



POINT STYLE

Flat Chisel



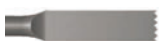
Moil Point



Scaling Chisel



Slotting Tool



Seam Tool



Ground Rod Driver



Asphalt Cutter



Clay Spade



1pc. Bushing Tool



1pc. Bushing Tool with 16 Carbide Tips



2pc. Bushing Tool



Floor Scraper

Fits all SDS Max Style Rotary and Demolition Hammers used to remove ceramic and linoleum tile.



SDS MAX SHANK
For large rotary hammers with SDS-Max drive USA SDS-MAX LICENSED MANUFACTURER Also fits Hilti TE-52/72/92

5/8" ROUND SPLINE SHANK
For large rotary hammers with spline drive

3/4" HEX DEMO SHANK
For demolition hammers which use 3/4" Hex Accessories

SDS MAX SHANK				5/8" ROUND SPLINE SHANK				3/4" HEX DEMO SHANK			
CAT.NO.	LENGTH	WIDTH	WT.	CAT.NO.	LENGTH	WIDTH	WT.	CAT.NO.	LENGTH	WIDTH	WT.
5801	12" 300 mm	1" 25 mm	1.25 lb .6 kg	5001	12" 300 mm	1" 25 mm	1.5 lb .7 kg	5201	12" 300 mm	1" 25 mm	1.5 lb .7 kg
5803	18" 450 mm	1" 25 mm	1.8 lb .8 kg	5003	18" 450 mm	1" 25 mm	2.25 lb 1 kg	5203	18" 450 mm	1" 25 mm	2.25 lb 1 kg
5803-24	24" 600 mm	1" 25 mm	2.5 lb 1.1 kg								
5803-36	36" 915 mm	1" 25 mm	3.75 lb 1.8 kg								
5805	12" 300 mm	—	1.25 lb .6 kg	5005	12" 300 mm	—	1.5 lb .7 kg	5205	12" 300 mm	—	1.5 lb .7 kg
5807	18" 450 mm	—	1.8 lb .8 kg	5007	18" 450 mm	—	2.25 lb 1 kg	5207	18" 450 mm	—	2.25 lb 1 kg
5807-24	24" 600 mm	—	2.5 lb 1.1 kg								
5807-36	36" 915 mm	—	3.75 lb 1.8 kg								
5808	12" 300 mm	1 1/2" 38 mm	1.25 lb .6 kg	5008	12" 300 mm	1 1/2" 38 mm	1.7 lb .7 kg	5208	12" 300 mm	1 1/2" 38 mm	1.7 lb .7 kg
5809	12" 300 mm	2" 50 mm	1.25 lb .6 kg	5010	18" 450 mm	1 1/2" 38 mm	2.5 lb 1.1 kg	5210	18" 450 mm	1 1/2" 38 mm	2.5 lb 1.1 kg
5809-24	24" 600 mm	2" 50 mm	2.5 lb 1.2 kg	5009	12" 300 mm	2" 80 mm	1.75 lb .8 kg	5209	12" 300 mm	2" 80 mm	1.75 lb .8 kg
5809-36	36" 900 mm	2" 50mm	3.75 lb 1.8 kg	5011	18" 450 mm	2" 50 mm	2.5 lb 1.1 kg	5211	18" 450 mm	2" 50 mm	2.5 lb 1.1 kg
5811	18" 450 mm	2" 50 mm	2.25 lb 1 kg	5012	12" 300 mm	3" 80 mm	2.25 lb 1 kg	5212	12" 300 mm	3" 80 mm	2.25 lb 1 kg
5812	12" 300 mm	3" 80 mm	1.5 lb .7 kg								
5814	18" 450 mm	3" 80 mm	2.25 lb 1 kg								
5813	12" 300 mm	1 1/8" 28 mm	1.25 lb .6 kg	5013	12" 300 mm	1 1/8" 28 mm	1.5 lb .7 kg	5213	12" 300 mm	1 1/8" 28 mm	1.5 lb .7 kg
5815	15" 380 mm	1 1/8" 28 mm	1.5 lb .7 kg	5015	15" 380 mm	1 1/8" 28 mm	1.75 lb .8 kg	5215	15" 380 mm	1 1/8" 28 mm	1.75 lb .7 kg
5817	10 1/2" 260 mm	—	2 lb .7 kg	5017	10 1/2" 260 mm	2" 50 mm	2.5 lb 1.1 kg	5217	10 1/2" 260 mm	2" 50 mm	2.5 lb 1.1 kg
5820	15 1/2" 400 mm	3 1/2" 90 mm	2.75 lb 1.2 kg					5220	15 1/2" 400 mm	5" 125 mm	4.75 lb 2.2 kg
5816	15 1/2" 400 mm	4 1/2" 110 mm	2.75 lb 1.2 kg	5016	15 1/2" 400 mm	4 1/2" 110 mm	4.75 lb 1.2 kg	5216	15 1/2" 400 mm	4 1/2" 110 mm	4.75 lb 1.2 kg
5818	9 1/2" 240 mm	—	2.5 lb 1.1 kg	5018	9 1/2" 240 mm	—	2.7 lb 1.2 kg	5218	9 1/2" 240 mm	—	2.7 lb 1.2 kg
5818CB	9 1/2" 240 mm	—	2 lb .9 kg	5018CB	9 1/2" 240 mm	—	2.25 lb 1.1 kg	5218CB	9 1/2" 240 mm	—	2.25 lb 1.1 kg
5819	10" 250 mm	—	2.8 lb 1.2 kg	5019	10" 250 mm	—	2.5 lb 1.1 kg	5219	10" 250 mm	—	2.5 lb 1.1 kg
5821 stem only	8"	—	1.2 lb	5021 stem only	—	—	1 lb	5221 stem only	—	—	1 lb
5101 head only	—	—	1.6 lb	5101 head only	—	—	1.5 lb	5101 head only	—	—	1.5 lb
5822	25" 635 mm	6" 152 mm	5.5 lb	5022	25" 635 mm	6" 152 mm	5.75 lb	5222	25" 635 mm	—	5.25 lb
5822-1	SDS Max Shank (Stem)			5022-1	5/8" Round Shank (Stem)			5222-1	3/4" Hex Shank (Stem)		
5822-2	6" Flex Blade			5822-2	6" Flex Blade			5822-2	6" Flex Blade		
5822-3	Bolt (4 piece required)			5822-3	Bolt (4 piece required)			5822-3	Bolt (4 piece required)		
5822-4	Nut (4 piece required)			5822-4	Nut (4 piece required)			5822-4	Nut (4 piece required)		
5822-5	Bushing (2 piece required)			5822-5	Bushing (2 piece required)			5822-5	Bushing (2 piece required)		
5822-6	Plate (Blade Support)			5822-6	Plate (Blade Support)			5822-6	Plate (Blade Support)		



Electric Hammer Chisels

SDS PLUS SHANK For small rotary hammers with SDS drive				7/8" HEX HILTI SHANK Fits Hilti TP-800				1 1/8" HEX SHANK For electric breakers requiring 1 1/8" notched shanks			
CAT.NO.	LENGTH	WIDTH	WT.	CAT.NO.	LENGTH	WIDTH	WT.	CAT.NO.	LENGTH	WIDTH	WT.
5705	10" 250 mm	—	.7 lb .29 kg	5605	12" 300 mm	—	2.0 lb .9 kg	31200E	14" 360 mm	—	6.5 lb 2.9 kg
				5607	18" 450 mm	—	3 lb 1.3 kg				
5701	10" 250 mm	1" 25 mm	.7 lb .29 kg	5601	12" 300 mm	—	1.7 lb .7 kg	31100E	14" 360 mm	1" 25 mm	6.5 lb 2.9 kg
5708	10" 250 mm	1 1/2" 40 mm	.8 lb .35 kg	5609	12" 300 mm	2" 80 mm	2.5 lb 1.1 kg	31300E	14" 360 mm	3" 25 mm	6.5 lb 2.9 kg
5707	7" 175 mm	—	.6 lb 24 kg								
5715	10" 250 mm	7/8"	.8 lb								
5709	7" 175 mm	—	.6 lb 24 kg								
								38400E	11" 275 mm	5" 125 mm	6.5 lb 2.9 kg
								39500E	16" 410 mm	5 1/2" 130 mm	9.75 lb 4.4 kg
5725	7"	.393"	.25 lb								
5726	7"	.551"	.25 lb								
5727	7"	.787"	.35 lb								
5728	7"	1.023"	.45 lb								



POINT STYLE

- Moil Point**

- Flat Chisel**

- Scaling Chisel**

- Claw Ripper**

- Seam Tool**

- Panel Cutter**

- Asphalt Cutter**

- Clay Spade**

- Wood Chisel**


WARNING:
Wear Safety Goggles







Riggers Tools: Wrenches, Pins/Barrel, Drift, Pull, Broad Head

Adjustable Spud Wrenches



Cat. No.	Overall Length	Weight
728	15" (381MM)	2-1/2 LB.

1/2" Drive Ratchet Spud Wrench



Cat. No.	Overall Length	Weight
729	15" (381MM)	2-1/4 LB.

Single End Drift Pin



Cat. No.	Std. Diameter	Overall Length	Length of Taper	Point Size	Weight
601	7/16" (11MM)	6" (152MM)	2-1/2" (64MM)	3/16" (5MM)	4 LB.
602	9/16" (14MM)	6" (152MM)	2-3/4" (70MM)	1/4" (6MM)	1/3 LB.
603	11/16" (17MM)	6" (152MM)	2-3/4" (70MM)	5/16" (8MM)	1/2 LB.
624	13/16" (21MM)	8" (203MM)	3-3/4" (95MM)	5/16" (8MM)	1 LB.
625	15/16" (24MM)	8" (203MM)	3-3/4" (95MM)	3/8" (13MM)	1-1/4 LB.
626	1-1/16" (27MM)	8" (203MM)	3-3/4" (95MM)	1/2" (14MM)	1-5/8 LB.

Barrel Drift Pin



Cat. No.	Std. Diameter	Overall Length	Length of Taper	Point Size	Weight
611	7/16" (11MM)	6" (152MM)	2" (51MM)	3/16" (5MM)	1/4 LB.
612	9/16" (14MM)	6" (152MM)	2" (51MM)	1/4" (6MM)	1/3 LB.
613	11/16" (17MM)	6" (152MM)	2" (51MM)	5/16" (8MM)	1/2 LB.
633	11/16" (17MM)	7-1/2" (201MM)	2" (51MM)	5/16" (8MM)	5/8 LB.
614	13/16" (21MM)	6" (152MM)	2" (51MM)	7/16" (11MM)	3/4 LB.
634	13/16" (21MM)	8" (203MM)	2-1/2" (64MM)	3/8" (13MM)	7/8 LB.
615	15/16" (24MM)	6" (152MM)	2" (51MM)	1/2" (14MM)	7/8 LB.
635	15/16" (24MM)	8" (203MM)	2-1/2" (64MM)	7/16" (11MM)	1-1/8 LB.
636	1-1/16" (27MM)	8" (203MM)	2-1/2" (64MM)	9/16" (14MM)	1-1/2 LB.
637	1-3/16" (30MM)	8" (203MM)	2-1/2" (64MM)	3/4" (19MM)	2 LB.
638	1-5/16" (33MM)	8" (203MM)	2-1/2" (64MM)	3/4" (19MM)	2-1/3 LB.

Long Taper Drift Pin



Cat. No.	Std. Diameter	Overall Length	Length of Taper	Point Size	Weight
642	9/16" (14MM)	7" (178MM)	6" (152MM)	1/8" (3MM)	1/3 LB.
643	11/16" (17MM)	7-1/2" (201MM)	6-1/2" (165MM)	3/16" (5MM)	1/2 LB.
644	13/16" (21MM)	8" (203MM)	7" (178MM)	3/16" (5MM)	5/8 LB.
645	15/16" (24MM)	8" (203MM)	7" (178MM)	1/4" (6MM)	7/8 LB.
646	1-1/16" (27MM)	8" (203MM)	7" (178MM)	5/16" (8MM)	1-1/8 LB.

NOTE: Other sizes available upon request. Barrel Drift Pins are the same size as the "Hole" and are 1/16" larger than the "Bolt".

WARNING:
Wear Safety Goggles



Spud Wrenches



Ajax No.	Wrench Opening	Diameter of Head	Thickness of Head	Length	Handle at Head	Offset at End	Wt. Ea. Lbs.
		A	B	C	D	E	
730	9/16"	1-9/16"	7/16"	12"	13/16"	1-11/16"	.56
731	5/8"	1-9/16"	7/16"	12"	13/16"	1-11/16"	.56
732	11/16"	1-9/16"	7/16"	12"	13/16"	1-11/16"	.56
733	3/4"	1-9/16"	7/16"	12"	13/16"	1-7/8"	.70
734	13/16"	2"	17/32"	14-1/2"	15/16"	1-7/8"	1.3
735	7/8"	2"	17/32"	14-1/2"	15/16"	1-7/8"	1.3
736	15/16"	2"	17/32"	14-1/2"	15/16"	1-7/8"	1.3
737	1"	2"	17/32"	14-1/2"	15/16"	2-3/8"	1.3
738	1-1/16"	2-1/4"	5/8"	17"	1-1/16"	2-3/8"	1.9
739	1-1/8"	2-1/4"	5/8"	17"	1-1/16"	2-3/4"	1.9
740	1-1/4"	2-13/16"	11/16"	19"	1-1/4"	2-3/4"	2.6
741	1-5/16"	2-13/16"	11/16"	19"	1-1/4"	3-1/16"	2.6
742	1-7/16"	3-1/8"	3/4"	20"	1-1/4"	3-3/8"	3.5
743	1-1/2"	3-1/8"	3/4"	20"	1-1/4"	3-3/8"	3.5
744	1-5/8"	3-19/32"	13/16"	23"	1-1/2"	3-3/8"	4.8
745	1-11/16"	3-19/32"	13/16"	23"	1-1/4"	3-11/16"	4.7
746	1-13/16"	4-1/8"	13/16"	24"	1-5/8"	3-11/16"	6.6
747	1-7/8"	4-1/8"	13/16"	24"	1-5/8"	3-11/16"	6.6
748	2"	4-1/8"	13/16"	24"	1-5/8"	3-11/16"	6.5

Pull Pin



Cat. No.	Std. Diameter	Overall Length	Length of Taper	Point Size	Weight
651-12	15/16" (24MM)	12" (305MM)	10" (254MM)	5/16" (8MM)	1-1/2 LB.
652-12	1-1/16" (27MM)	12" (305MM)	10" (254MM)	3/8" (13MM)	1-5/8 LB.
653-12	1-3/16" (30MM)	12" (305MM)	10-1/2" (267MM)	7/16" (11MM)	2 LB.
654-12	1-1/4" (32MM)	12" (305MM)	10-1/2" (267MM)	7/16" (11MM)	2-1/3 LB.
651	15/16" (24MM)	15" (381MM)	10" (254MM)	5/16" (8MM)	2 LB.
652	1-1/16" (27MM)	15" (381MM)	10" (254MM)	3/8" (13MM)	2-1/2 LB.
653	1-3/16" (30MM)	15" (381MM)	10-1/2" (267MM)	7/16" (11MM)	3 LB.
654	1-1/4" (32MM)	15" (381MM)	10-1/2" (267MM)	7/16" (11MM)	3-1/4 LB.

Welding Pin



Cat. No.	Std. Diameter	Overall Length	Length of Taper	Point Size	Weight
656	15/16" (24MM)	12" (305MM)	11" (279MM)	3/16" (5MM)	1-1/8 LB.
657	1-1/16" (27MM)	12" (305MM)	11" (279MM)	1/4" (6MM)	1-1/1 LB.
658	1-3/16" (30MM)	12" (305MM)	11" (279MM)	1/4" (6MM)	1-7/8 LB.

Button Head Pin



Cat. No.	Std. Diameter	Overall Length	Length of Taper	Point Size	Weight
648	1-1/16" (27MM)	13" (330MM)	10-5/8" (267MM)	1/4" (6MM)	2-1/4 LB.

Broad Head Bull Pin



Cat. No.	Std. Diameter	Overall Length	Length of Taper	Point Size	Weight
649	1-1/16" (27MM)	10" (254MM)	8" (203MM)	1/4" (6MM)	1-5/8 LB.
650	1-1/4" (32MM)	13" (330MM)	10" (254MM)	5/16" (8MM)	3 LB.





Riggers Tools

Pry Bars

Chisel Bars



Extra long heavy duty chisels. One end forged to chisel point — other end with chisel head for striking.

Cat. No.	Stock Size	Length	Weight
695	5/8" (16mm) Hex	18" OAL (457mm)	1.5 lb.
696	3/4" (19mm) Hex	24" OAL (610mm)	3 lb.
697	7/8" (22mm) Hex	30" OAL (762mm)	5.25 lb.
698	1" (25mm) Hex	36" OAL (914mm)	8.5 lb.

Fit Up Bar – Goose Neck



One end tapered — other end with chisel point and goose neck offset.

Cat. No.	Stock Size	Length	Weight
660	7/8" (22mm) Hex	30" OAL (762mm)	5 lb.
686	7/8" (22mm) Hex	48" OAL (1219mm)	8.5 lb.
687	1" (25mm) Hex	48" OAL (1219mm)	10.75 lb.

Pinch Bars



Cat. No.	Stock Size	Length	Weight
680	3/4" (19mm) Hex	24" OAL (610mm)	3 lb.
681	3/4" (19mm) Hex	30" OAL (762mm)	3.75 lb.
682	7/8" (22mm) Hex	36" OAL (914mm)	6 lb.

Pry Bars with Handles



Cat. No.	Stock Size	Overall Length	Blade Width
675-7	3/8" (10mm)	12" (305mm)	5/8" (16mm)
675-12	3/8" (10mm)	17" (432mm)	5/8" (16mm)
675-18	1/2" (13mm)	25" (635mm)	11/16" (17mm)
675-24	1/2" (13mm)	31" (787mm)	11/16" (17mm)
675-28	5/8" (16mm)	36" (914mm)	7/8" (22mm)
675-SP	3 pc. Set, includes 675-7, 675-12, 675-18		

Cotter Pin Puller & Spreader



Cat. No.	Size Stock	Length	Weight
690	3/4"	12"	1.25 lb.

Lining Bars – Offset Pinch or Jimmy Bar



One end tapered for lining holes, etc. — other end with chisel end and slight offset. For extra leverage in positioning steel members.

Cat. No.	Stock Size	Length	Weight
666	5/8" (16mm) Hex	15" OAL (381mm)	1.25 lb.
667	3/4" (19mm) Hex	20" OAL (508mm)	2.5 lb.
683	7/8" (22mm) Hex	30" OAL (762mm)	4.75 lb.
684	1" (25mm) Hex	36" OAL (914mm)	8 lb.

Pry Bars



New dimensions in pry bars forged from the finest alloy steel and tempered to give added muscle to that tough application.

Cat. No.	Stock Size	Length	Weight
9118	21/32" (17mm) RD	18" OAL (457mm)	1.5 lb.
9124	3/4" (19mm) RD	24" OAL (610mm)	2.5 lb.
9130	7/8" (22mm) RD	30" OAL (762mm)	4.5 lb.
9146	7/8" (22mm) RD	46" OAL (1168mm)	7.25 lb.
9154	1 1/16" (27mm) RD	54" OAL (1372mm)	12.75 lb.

Digging Bars



Cat. No.	Stock Size	Length	Weight
676	1" (25mm) Hex	60" OAL (1524mm)	14.5 lb.
677	1" (25mm) Hex	72" OAL (1829mm)	17.5 lb.

Crowbar Pinch Point



Cat. No.	Point Size & Length	Weight
9160P	1 1/4" sq. X 60" Pinch Point/Lining Bar	18 lb.

Crowbar Wedge Point



Cat. No.	Point Size & Length	Weight
9160W	1 1/4" sq. X 60" Wedge Point/Lining Bar	18 lb.

Connecting – Straight Fit Up Bar



Same as lining bar: one end tapered, chisel point on other end. No offset.

Cat. No.	Stock Size	Length	Weight
685	3/4" (19mm) Hex	24" OAL (610mm)	2.75 lb.
693	3/4" (19mm) Hex	30 1/2" OAL (775mm)	4 lb.
668	7/8" (22mm) Hex	30" OAL (762mm)	4.75 lb.
669	7/8" (22mm) Hex	36" OAL (914mm)	5.75 lb.
670	1" (25mm) Hex	36" OAL (914mm)	8 lb.

Pry Bars (Nickel Chrome Plated)



Forged from the finest alloy steel and tempered for added strength.

Cat. No.	Stock Size	Length	Weight
9118-PL	5/8" (17mm) RD	18" OAL (457mm)	1.5 lb.
9124-PL	3/4" (19mm) RD	24" OAL (610mm)	2.5 lb.
9130-PL	7/8" (22mm) RD	30" OAL (762mm)	4.5 lb.

Pry Bars Scraper



Excellent leverage from offset blade. Ideal for lifting old tile, removing moldings, scraping paint and hardened adhesives. Comes with plastic grip.

Cat. No.	Stock Size	Length	Weight
692	2 3/16" (56mm)	16 3/4" OAL (425mm)	1.5 lb.

Warehouse Bar

2" Wide Blade/Offset 30°



Two different chisel points for dual leverage.

Cat. No.	Stock Size	Length	Weight
678	1" (25mm) Hex	48" OAL (1219mm)	12 lb.

Cotter Pin Puller



Cat. No.	Size Stock	Length	Weight
691	3/4"	11"	1.25 lb.





Hand Tools



Solid Punch



Cat. No.	Stock Size	Overall Length	Point Diameter
570	5/16" (8mm)	6" (152mm)	3/32" (2mm)
571	3/8" (10mm)	6" (152mm)	1/8" (3mm)
572	1/2" (13mm)	6" (152mm)	3/16" (5mm)
573	5/8" (16mm)	7" (178mm)	1/4" (6mm)

Center Punch



Cat. No.	Stock Size	Overall Length
561	3/8" (10mm)	6" (152mm)
562	1/2" (13mm)	6" (152mm)
563	5/8" (16mm)	6" (152mm)
564	3/4" (19mm)	6" (152mm)
565	7/8" (22mm)	6" (152mm)

Long Taper Punch



Cat. No.	Stock Size	Overall Length	Point Diameter
586	3/8" (10mm)	7 1/2" (190mm)	3/32" (2mm)
587	3/8" (10mm)	8" (203mm)	1/8" (3mm)
588	1/2" (13mm)	8 1/2" (216mm)	5/32" (4mm)
589	1/2" (13mm)	9" (229mm)	3/16" (5mm)
590	5/8" (16mm)	11" (280mm)	1/4" (6mm)
591	5/8" (16mm)	11" (280mm)	5/16" (8mm)

Hand Pin Punch



Cat. No.	Stock Size	Overall Length	Point Diameter
580	5/16" (8mm)	4 3/4" (121mm)	3/32" (2mm)
581	5/16" (8mm)	5" (127mm)	1/8" (3mm)
582	5/16" (8mm)	5 1/4" (133mm)	5/32" (4mm)
583	5/16" (8mm)	5 1/2" (140mm)	3/16" (5mm)
584	3/8" (10mm)	7" (178mm)	1/4" (6mm)
585	1/2" (13mm)	7" (178mm)	5/16" (8mm)

Prick Punch



Cat. No.	Stock Size	Overall Length
592	3/8" (10mm)	5" (127mm)

Wood Chisel



Cat. No.	Stock Size	Overall Length
515	7/8" (22mm)	12" (305mm)

Hand Flat Chisel



Cat. No.	Stock Size	Overall Length	Cutting Edge Width
501	5/16" (8mm)	5" (127mm)	3/8" (10mm)
502	3/8" (10mm)	6" (152mm)	1/2" (13mm)
503	1/2" (13mm)	6" (152mm)	5/8" (16mm)
504	5/8" (16mm)	7" (178mm)	3/4" (19mm)
505	3/4" (19mm)	6" (152mm)	7/8" (22mm)
506	3/4" (19mm)	8" (203mm)	7/8" (22mm)
507	3/4" (19mm)	10" (254mm)	7/8" (22mm)
508	3/4" (19mm)	12" (305mm)	7/8" (22mm)
509	7/8" (22mm)	6" (152mm)	1" (25mm)
510	7/8" (22mm)	9" (229mm)	1" (25mm)
511	7/8" (22mm)	12" (305mm)	1" (25mm)
512	1" (25mm)	9" (229mm)	1 1/8" (29mm)
513	1" (25mm)	12" (305mm)	1 1/8" (29mm)
516	3/4" (19mm)	8" (203mm)	1 1/2" (38mm)
517	3/4" (19mm)	10" (254mm)	1 1/2" (38mm)
518	7/8" (22mm)	9" (229mm)	2" (51mm)
519	1" (25mm)	12" (305mm)	2" (51mm)

Hand Round Nose Chisel



Cat. No.	Stock Size	Overall Length	Cutting Edge Width
531	5/16" (8mm)	5" (127mm)	1/8" (3mm)
532	3/8" (10mm)	6" (152mm)	5/32" (4mm)
533	1/2" (13mm)	6" (152mm)	3/16" (5mm)
534	5/8" (16mm)	7" (178mm)	1/4" (6mm)
535	3/4" (19mm)	8" (203mm)	3/8" (10mm)
536	7/8" (22mm)	9" (229mm)	1/2" (13mm)

Hand Cape Chisel



Cat. No.	Stock Size	Overall Length	Cutting Edge Width
521	5/16" (8mm)	5" (127mm)	1/8" (3mm)
522	3/8" (10mm)	6" (152mm)	5/32" (4mm)
523	1/2" (13mm)	6" (152mm)	3/16" (5mm)
524	5/8" (16mm)	7" (178mm)	1/4" (6mm)
525	3/4" (19mm)	8" (203mm)	3/8" (10mm)
526	7/8" (22mm)	9" (229mm)	1/2" (13mm)

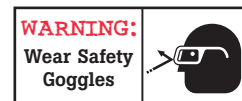
Hand Diamond Point Chisel



Cat. No.	Stock Size	Overall Length	Cutting Edge Width
541	5/16" (8mm)	5" (127mm)	1/8" (3mm)
542	3/8" (10mm)	6" (152mm)	5/32" (4mm)
543	1/2" (13mm)	6" (152mm)	3/16" (5mm)
544	5/8" (16mm)	7" (178mm)	1/4" (6mm)
545	3/4" (19mm)	8" (203mm)	3/8" (10mm)
546	7/8" (22mm)	9" (229mm)	1/2" (13mm)



WARNING:
Wear Safety Goggles



WARNING:
Wear Safety Goggles

Ajax Chisels and Punches should only be used on materials softer than the tools themselves.





Wedges / Scrapers

Cat. No.	Height	Width	Length	Weight
881	1/4" (6mm)	3/4" (19mm)	3" (76mm)	1 oz.
882	1/2" (13mm)	1" (25mm)	6" (152mm)	7 oz.
883	3/4" (19mm)	1 1/2" (38mm)	8" (203mm)	1 lb.
884	1" (25mm)	1 1/2" (38mm)	8" (203mm)	1 lb. 5 oz.
885	1 1/4" (32mm)	1 1/4" (32mm)	8" (203mm)	2 lb.
886	1 1/2" (38mm)	1 1/2" (38mm)	10" (254mm)	3 lb.
887	1 3/4" (44mm)	1 3/4" (44mm)	12" (305mm)	5 lb.
888	2" (51mm)	2" (51mm)	12" (305mm)	7 lb.

Stock Wedges



Cat. No.	Blade Height	Blade Width	Blade Lgth.	Weight
875	7/8" (22mm)	7/8" (22mm)	11" (279mm)	1.25
875-H	7/8" x 7/8" x 11" with 1/4" hole			
875-BC*	7/8" (22mm)	7/8" (22mm)	11" (279mm)	1.25
875-BC-H	7/8" x 7/8" x 11" with 1/4" hole			

Flange Wedges



*Beryllium Copper Non-Spark Material (See page 20)
Slightly concave wedging surfaces for interlocking safety when used in PAIRS.

Cat. No.	Blade Height	Blade Width	Blade Length	Weight
876	13/16" (21mm)	13/16" (21mm)	12" (305mm)	1.5
876-H	13/16" x 13/16" x 12" with 1/4" hole			
876-BC*	13/16" (21mm)	13/16" (21mm)	12" (305mm)	1.5
876-BC-H	13/16" x 13/16" x 12" with 1/4" hole			

*Beryllium Copper Non-Spark Material (See page 20)

Banana Wedges



Flange Line Up Pin (sold in pairs)

Cat. No.	Length	For Bolt Holes:	Weight
879-P	4 1/2" (114mm)	5/8" (16mm), 3/4" (19mm), 7/8" (22mm), 1" (25mm), 1 1/8" (29mm)	1.75
880-P	7 1/2" (191mm)	1 1/4" (32mm), 1 3/8" (35mm), 1 1/2" (38mm), 1 5/8" (41mm), 1 3/4" (44mm)	1.75



Cat. No.	Length	Blade Width	Weight
891-P	12" (305mm)	1 1/4" (32mm)	6.75

Flange Scraper

Packaged 25 pcs. per bundle



Cat. No.	Length	Blade Width	Weight
892	9" (229mm)	1 1/4" (32mm)	.5

Double End Scraper



WEDGES FOR THE TOUGH JOBS

AJAX Wedges are made of Carbon Steel, properly forged for maximum toughness.

NOTE:
Wedges to your specification can be furnished, made of carbon or mild steel. Please state height (H), width (W), and length (L) required.



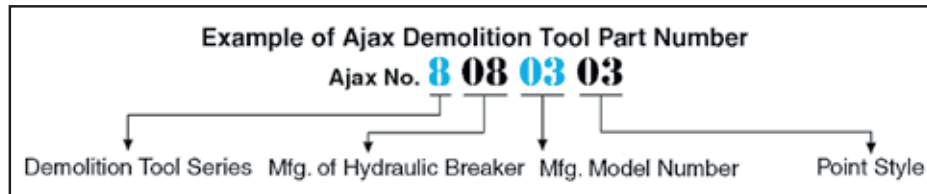
AJAX Tools™



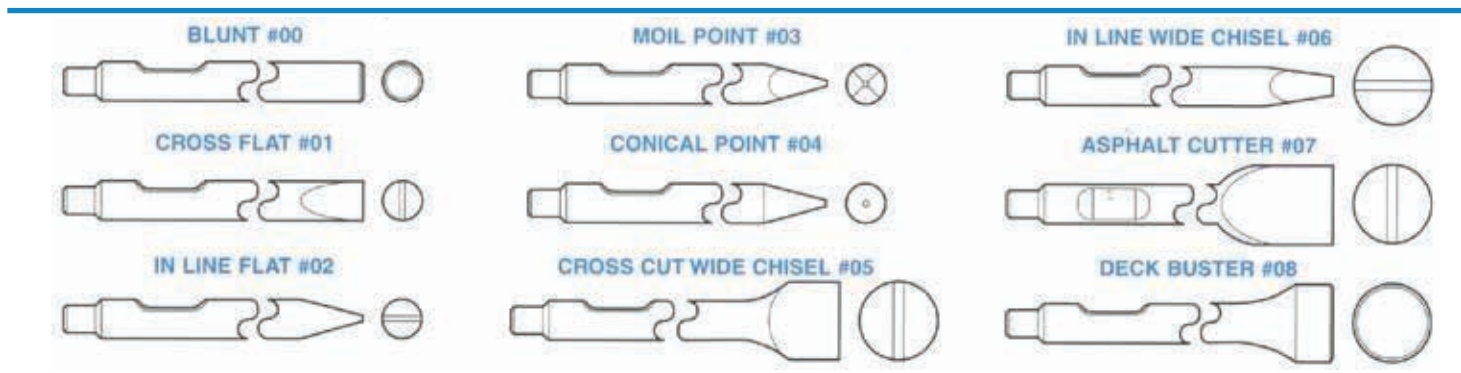


To inquire, please have the following information available.

1) Manufacturer & Model Number of hydraulic breaker 2) Type of Point Style



POINT STYLES



HYDRAULIC DEMOLITION HAMMER TOOL ACCESSORIES FOR SPECIAL APPLICATIONS





Ajax can design and manufacture special hydraulic hammer tool accessories for specific applications and industries.



EXTRA LENGTH TOOLS

TOOLS AVAILABLE UP TO 156" IN LENGTH

EXTRA LENGTH TOOLS USED TO REACH MATERIAL WHERE STANDARD LENGTHS WILL NOT

 <p>FROST WEDGE LONGER BLADE TAPER FOR DEEPER PENETRATION IN FROZEN SOIL.</p>	 <p>DECKBUSTERS 2-1/2" UP TO 11" FOR FRACTURING REINFORCED CONCRETE AREAS AND CRUSHING LARGE ROCKS</p>	 <p>ASPHALT CUTTER 4-1/4" & 6" WIDE BLADE, WITH REINFORCED RIB FOR ADDED BLADE STRENGTH FOR CUTTING ASPHALT AND SOFT MATERIALS</p>	 <p>TAMPERS 8" & 12" SQUARE HEADS FOR SOIL AND GRAVEL COMPACTION (STEMS SOLD SEPARATELY)</p>	 <p>SHEATHING DRIVER 3" TO 6" WIDTH AVAILABLE USED TO DRIVE STEEL SEAWALLS AND BULKHEADS</p>	 <p>POST/PIPE DRIVERS 2" TO 8" I.D. USED TO POUND PIPES AND POSTS IN THE GROUND ALSO AVAILABLE IN 2 PC STEM AND HEAD ASSEMBLY</p>
---	--	--	--	--	---

Call Today and let AJAX Engineer the Right Tool for your Special Applications
800.323.9129 or FAX 847.424.2529 • www.ajaxtools.com

Ajax Tool Works, Inc. 10801 Franklin Ave. Franklin Park, IL 60131

DHMB919





TAKE THE TIME TO WORK SAFELY!



ALWAYS WEAR SAFETY GOGGLES
TO PROTECT YOUR EYES



AJAX USES THE BEST METALS AND MANUFACTURING PROCESSES SPECIFIC TO THE TOOLS INTENDED APPLICATION!

TO INCREASE THE LIFE OF THE TOOL, ENHANCE ITS PERFORMANCE AND YOUR PERSONAL SAFETY, PLEASE FOLLOW THESE RECOMMENDATIONS:

- **ALWAYS CHOOSE THE RIGHT TOOL FOR THE JOB!**
- **WEAR & MAINTAIN SAFETY GOGGLES, SHOES & ALL OTHER APPROPRIATE SAFETY GEAR!**
- **FOLLOW ALL WORK AREA SAFETY RULES!**
- **FOLLOW POWER HAMMER MANUFACTURER'S RECOMMENDED PROCEDURES FOR MAINTAINING AND OPERATING TOOLS!**
- **NEVER PRY OR USE CHISELS AS LEVERS!**
- **NEVER STRIKE A TOOL DESIGNED FOR A POWER HAMMER WITH A HAND HELD HAMMER!**
- **KEEP TOOLS IN PROPER WORKING CONDITIONS!**
- **INSPECT ALL TOOLS BEFORE OPERATING! DISCARD TOOLS THAT SHOW ANY INDICATION OF CRACKS, FATIGUE OR EXCESSIVE WEAR!**

CALL AJAX ON ANY QUESTIONS CONCERNING TOOL DESIGN AND APPLICATION! 800.323.9129

**AJAX Tools**

10801 Franklin Avenue - Franklin Park, Illinois 60131



<http://www.AJAXTools.com>



Ajax Tool Works Incorporated
10801 Franklin Ave. • Franklin Park, IL 60131
847/455-5420 • 800/323-9129
847/455-9242 • 800/424-2529 toll free fax
www.ajaxtools.com • info@ajaxtools.com



© 2021 Ajax Tool Works, Inc.
Form CAT.921

